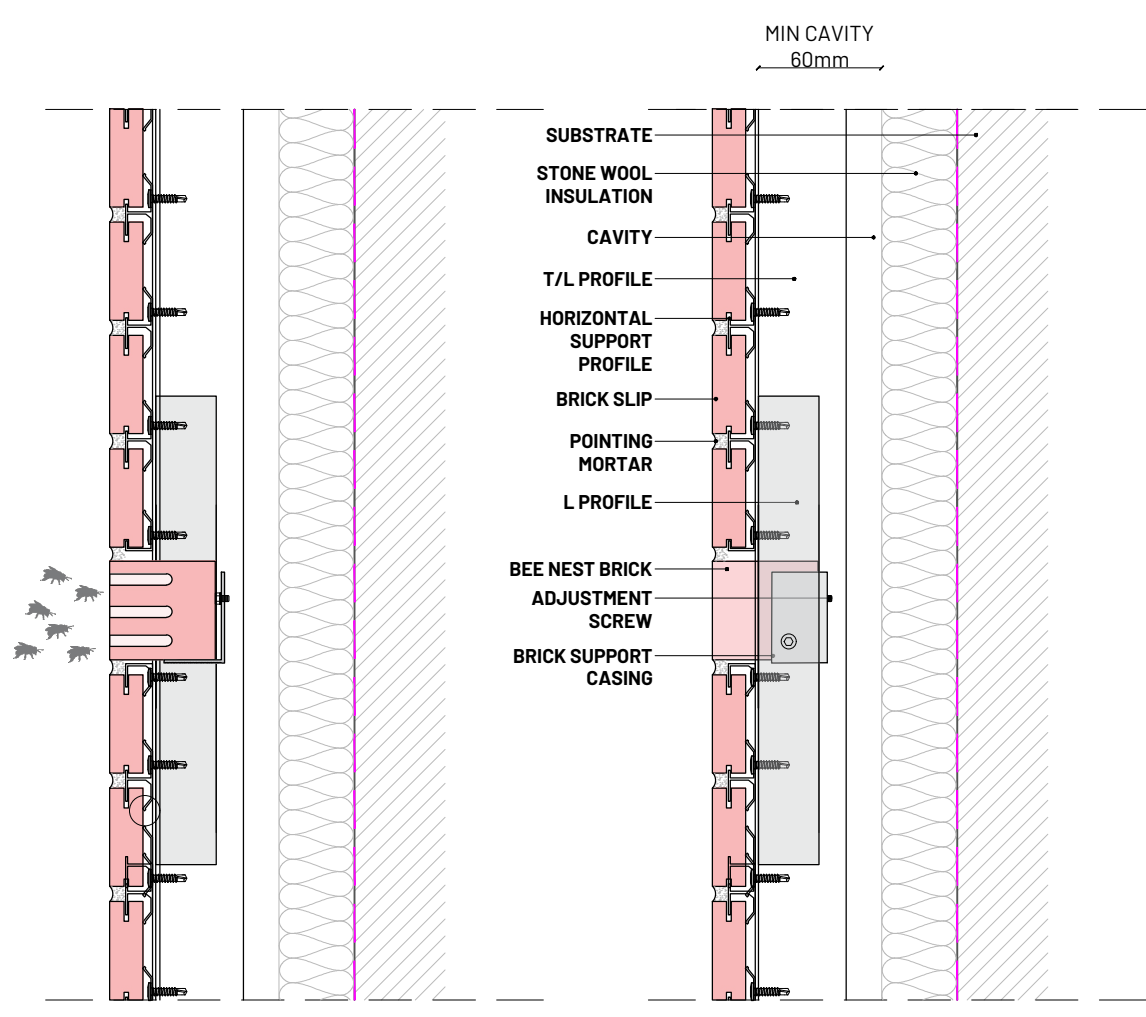
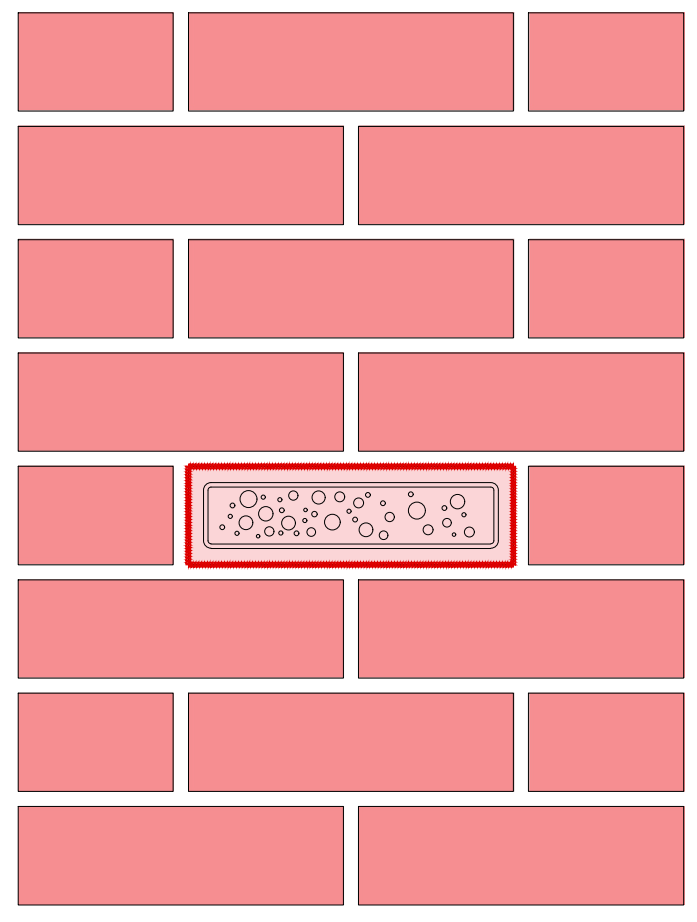


**ELEVATION**  
HORIZONTAL SUPPORT RAIL

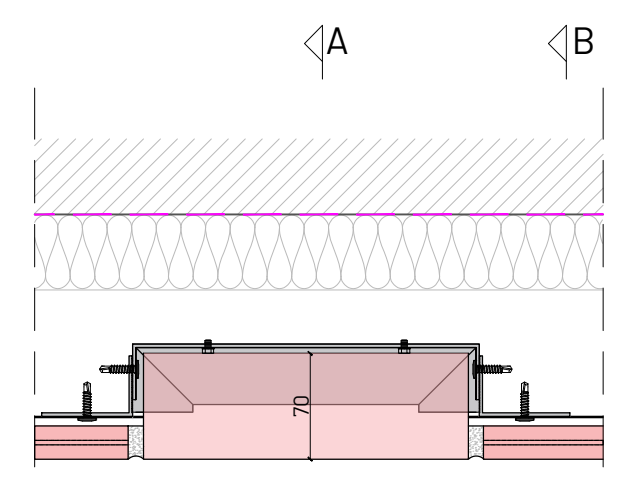


SECTION A-A

SECTION B-B



**ELEVATION**



**PLAN**