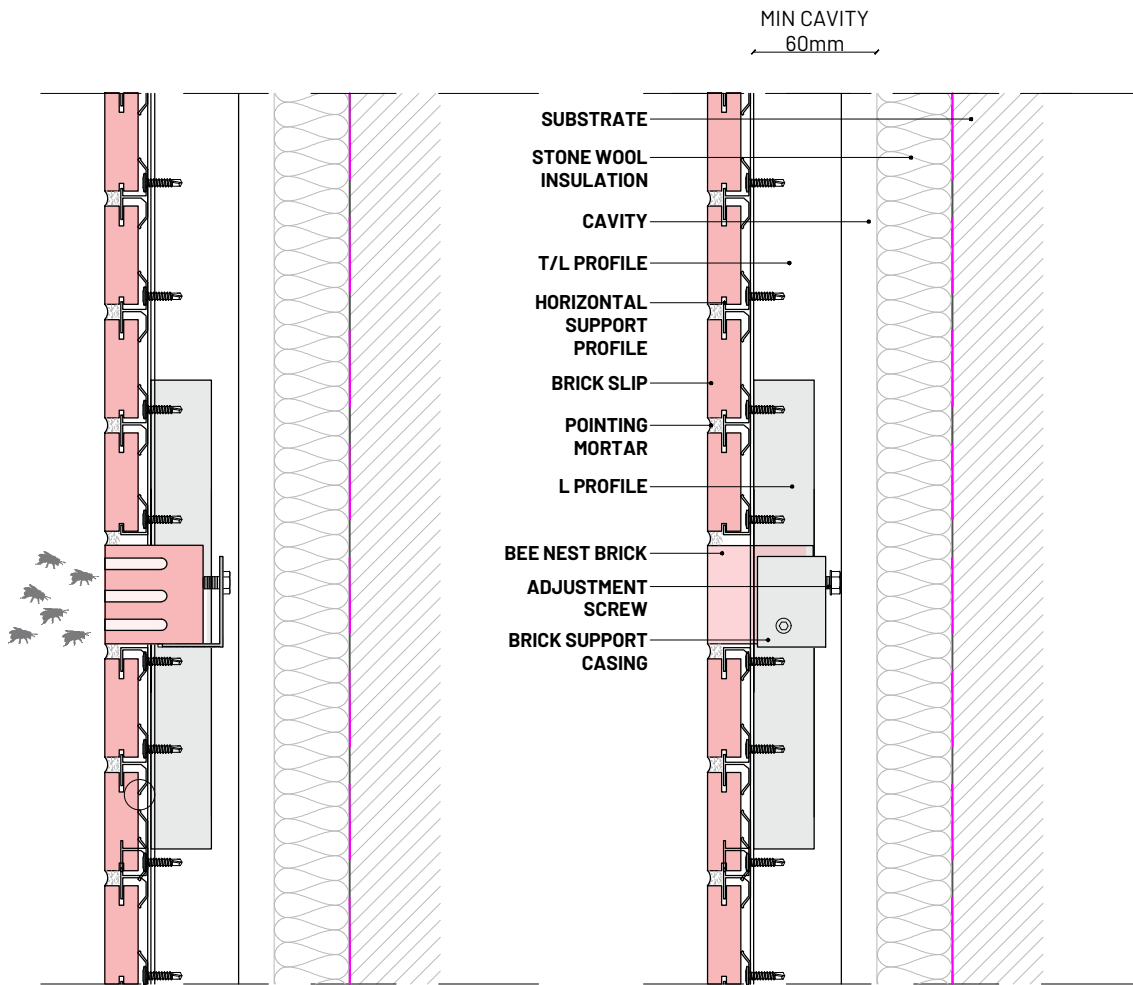


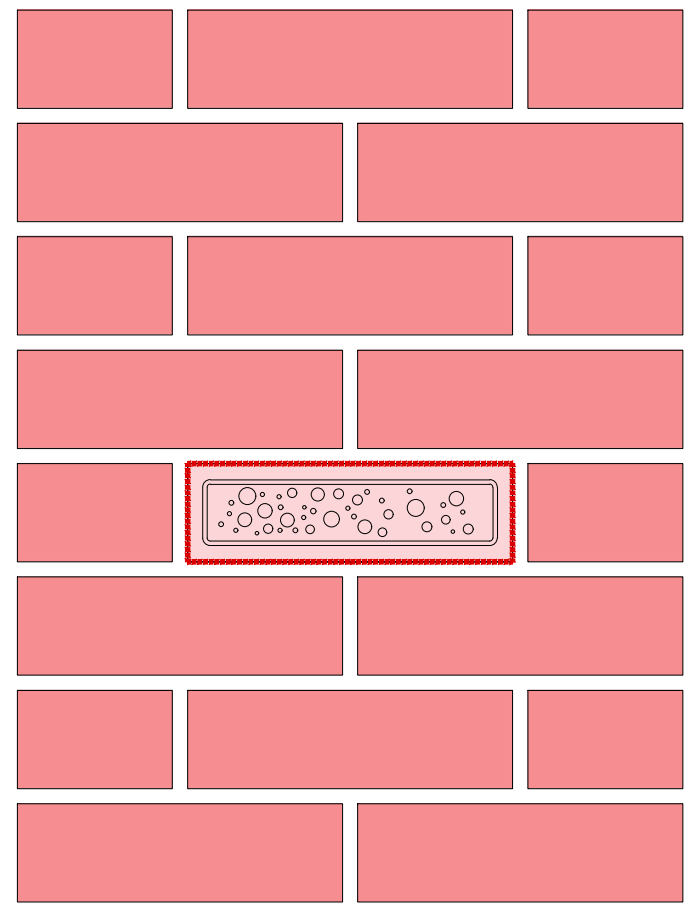
**ELEVATION**

*HORIZONTAL SUPPORT RAIL*

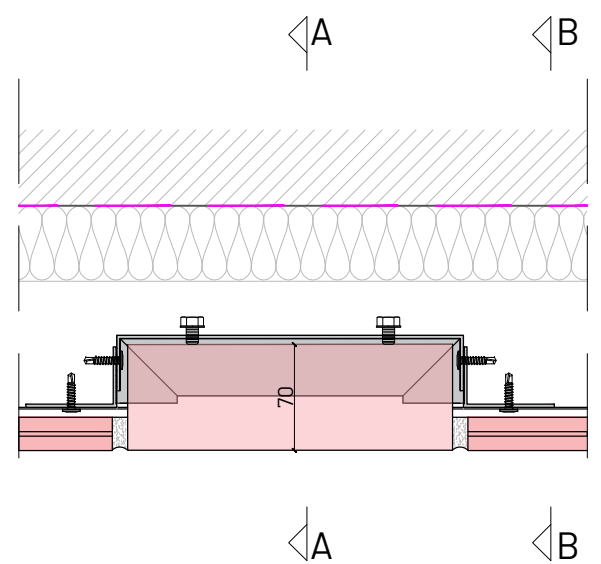


**SECTION A-A**

**SECTION B-B**



**ELEVATION**



**PLAN**