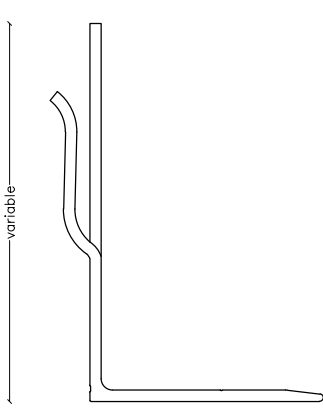




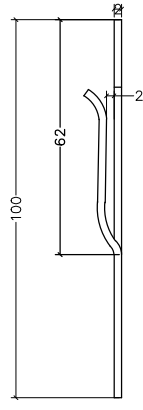
CMS10

Hook-on Cassette
Cladding Support System

BRACKETS



Fortis Helping Hand Bracket

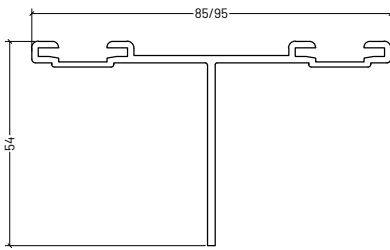


Extension Piece

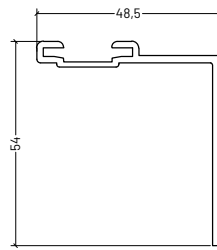
Description	Code	
	Double	Single
300mm Fortis Bracket	CMF-DB300-6.5/11	CMF-SB300-UN
270mm Fortis Bracket	CMF-DB270-6.5/11	CMF-SB270-UN
240mm Fortis Bracket	CMF-DB240-6.5/11	CMF-SB240-UN
220mm Fortis Bracket	CMF-DB220-6.5/11	CMF-SB220-UN
200mm Fortis Bracket	CMF-DB200-6.5/11	CMF-SB200-UN
180mm Fortis Bracket	CMF-DB180-6.5/11	CMF-SB180-UN
160mm Fortis Bracket	CMF-DB160-6.5/11	CMF-SB160-UN
140mm Fortis Bracket	CMF-DB140-6.5/11	CMF-SB140-UN
120mm Fortis Bracket	CMF-DB120-6.5/11	CMF-SB120-UN
100mm Fortis Bracket	CMF-DB100-6.5/11	CMF-SB100-UN
80mm Fortis Bracket	CMF-DB80-6.5/11	CMF-SB80-UN
60mm Fortis Bracket*	CMF-DB60-6.5/11	CMF-SB60-UN
40mm Fortis Bracket*	CMF-DB40-6.5/11	CMF-SB40-UN
Extension Bracket	CMF-DBEX	CMF-SBEX

*denotes unslotted brackets

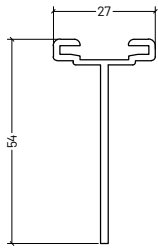
SYSTEM PROFILES



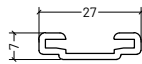
Slotted T Profile



Slotted L Profile

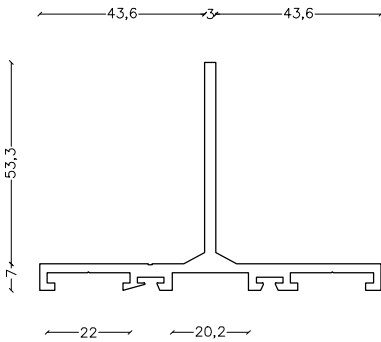


Slotted I Profile

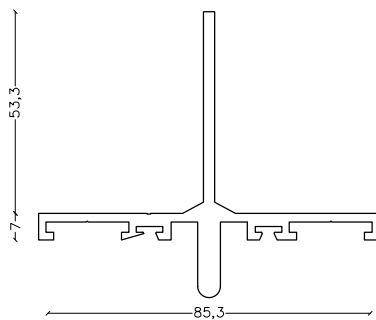


Channel Profile

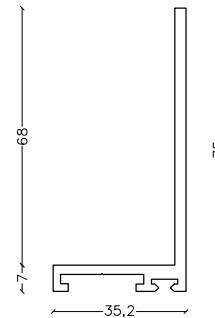
Description	Code
Slotted T Profile 85mm	STS-85-3000/6000
Slotted T Profile 95mm	STS-95-3000/6000
Slotted L Profile	LTS-54-3000/6000
Slotted I Profile	ITS-27-3000/6000
Channel Profile	CRS-27-3000/6000
Channel T Profile	VTC-01A-85-3000
Channel T Profile	VTC-01B-85-3000
Channel L Profile	VTC-01B-85-3000
Box Profile	BCP-01-60-3000



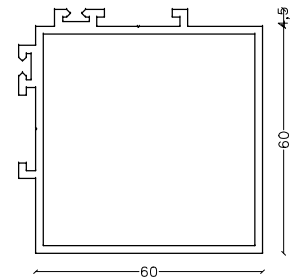
Channel T Profile



Channel T Profile

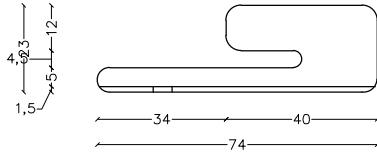


Channel L Profile

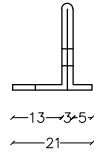


Box Profile

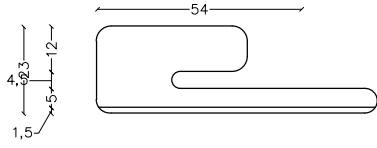
SYSTEM CLIPS



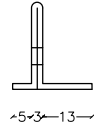
Cassette Clip Left



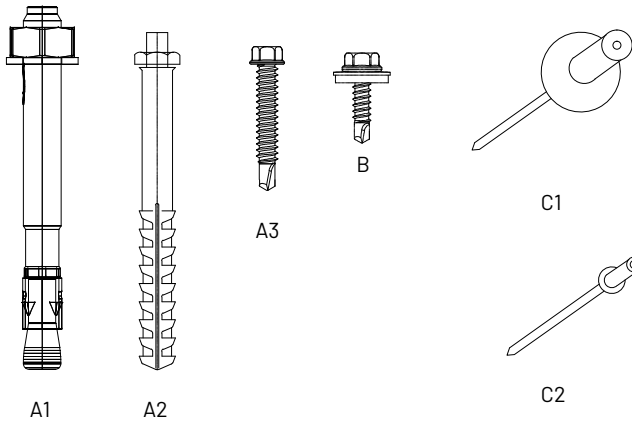
Description	Code
Cassette Clip Left	CSC-C10-PL
Cassette Clip Right	CSC-C10-PR



Cassette Clip Right



FIXINGS



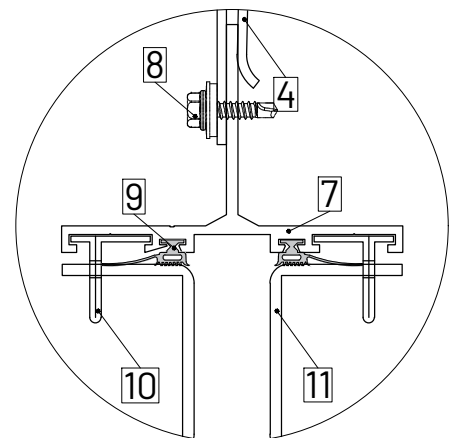
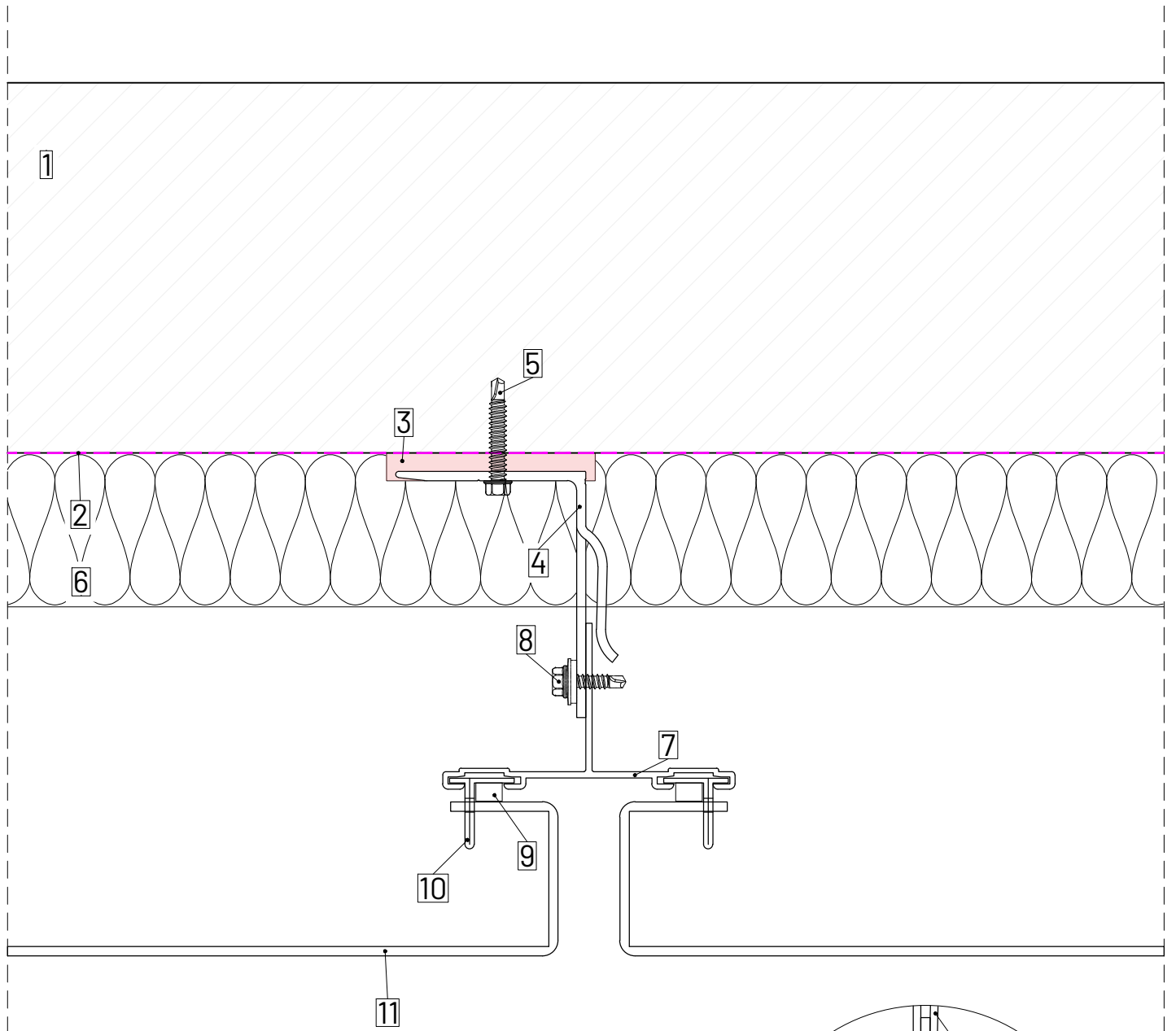
Description	Code
A1 Masonry Primary Anchor Bolt Fixing	BA-V-10/10
A2 Masonry Primary Fixing	SDF-KB-10H-80E
A3 Primary Fixing	JT3-3-6.3-50-S16
B Bracket to Rail Fixing	JT4 4 4.8X19 S14
C1 Rivet 4,8x25mm	TP01-4.8
C2 Rivet 4x10mm	TP01-4

ADHESIVES



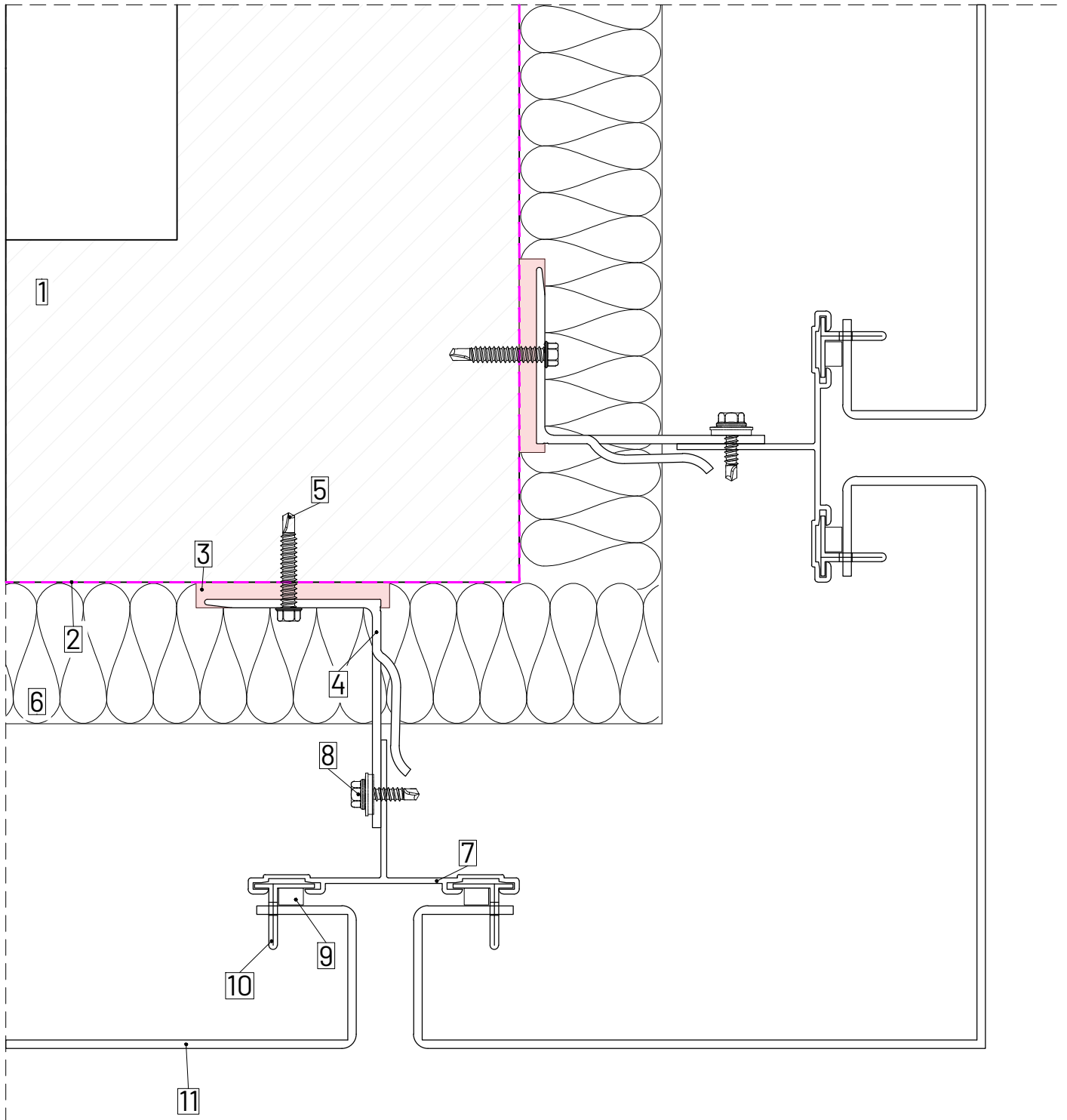
EPDM Rubber

Description	Code
EPDM Rubber	CSRG-C10

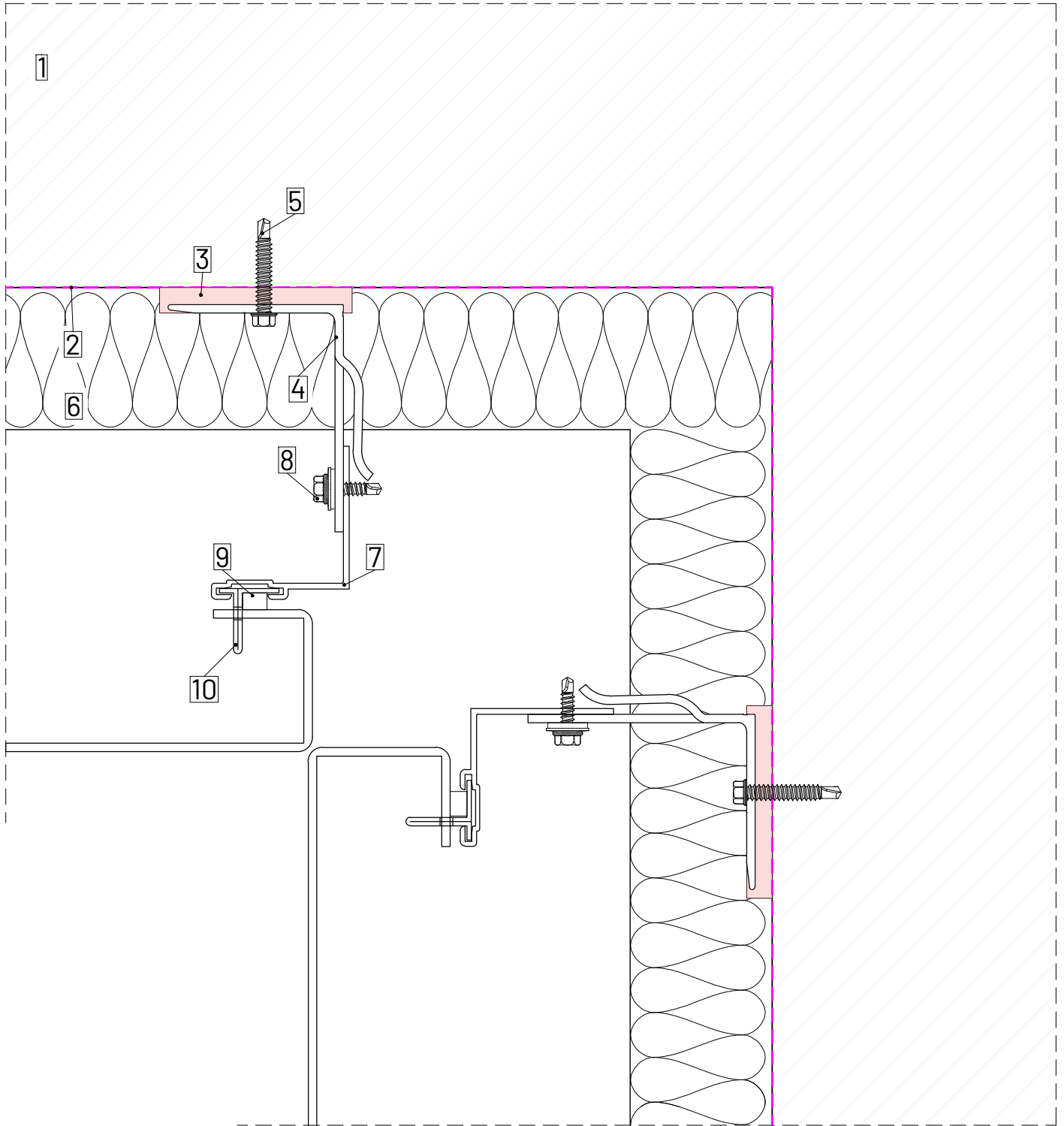


ALTERNATIVE PROFILE

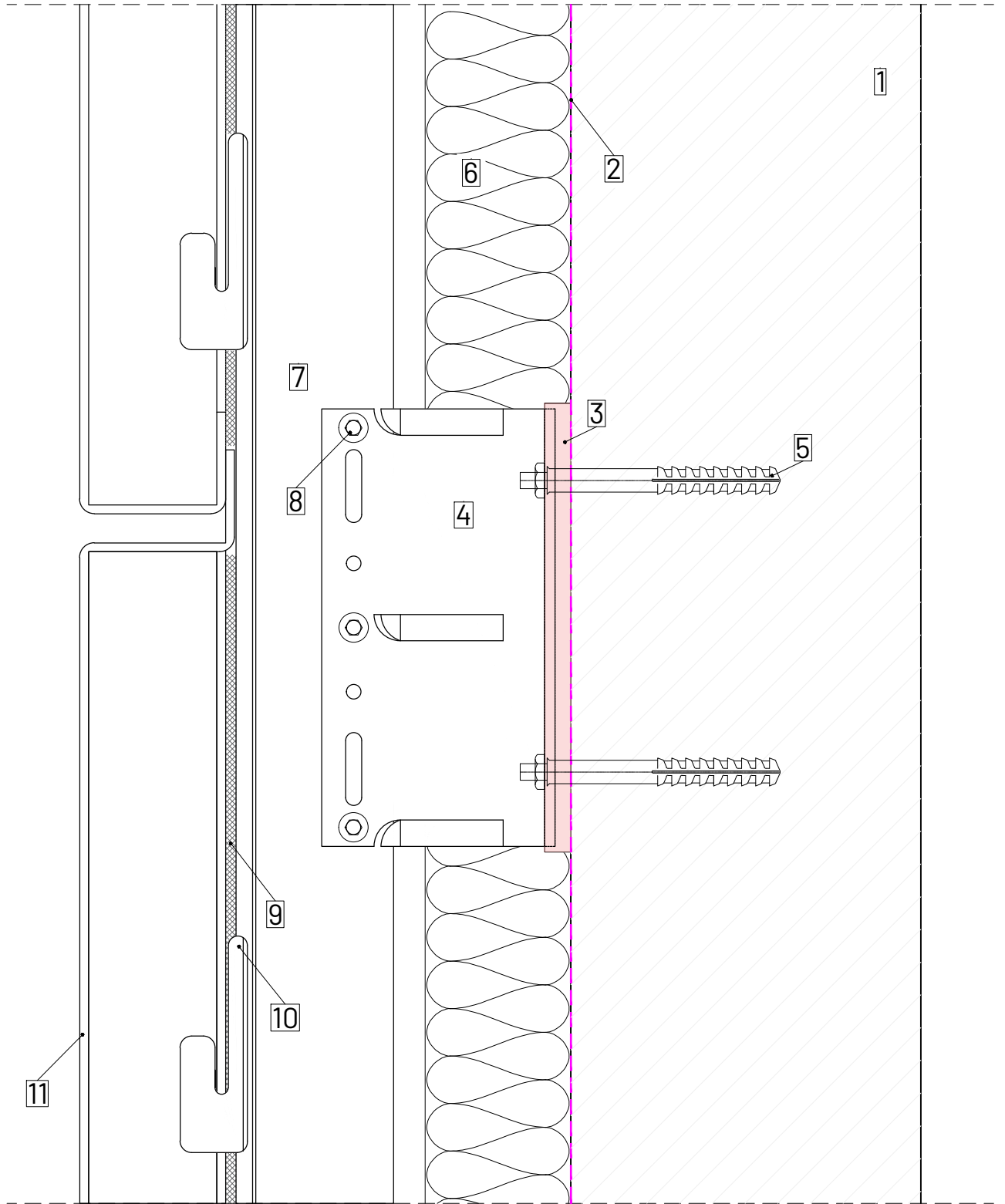
LEGEND | 1.SUBSTRATE 2.BREATHER MEMBRANE by others by others 3.THERMAL ISOLATOR 4.FORTIS HELPING HAND BRACKET 5.PRIMARY FIXING 6.THERMAL INSULATION 7. T / L / CORNER PROFILE 8.SELF DRILL SCREW 9.EPDM RUBBER PROFILE 10.CASSETTE CLIP 11.ALUMINIUM PANEL



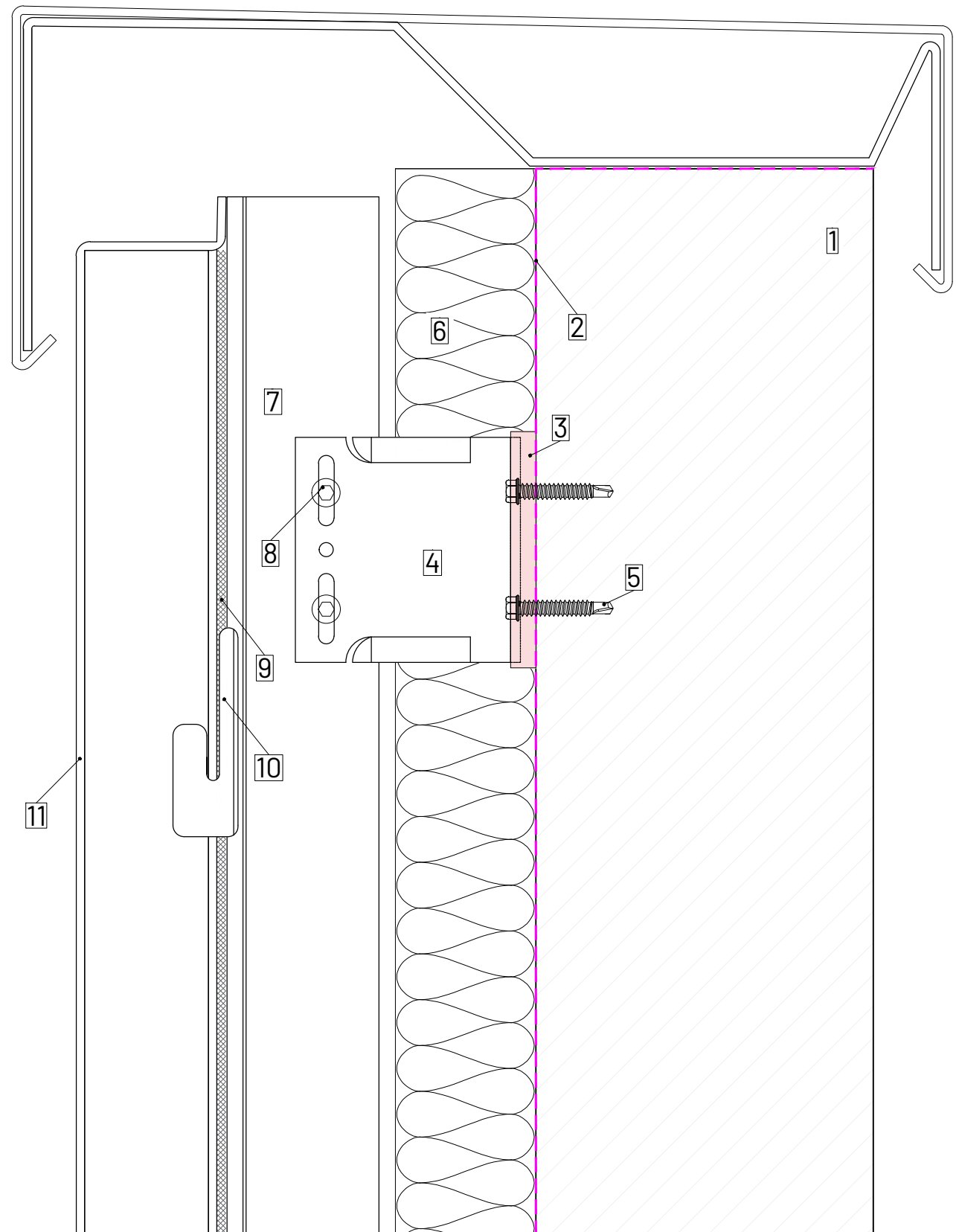
LEGEND | 1.SUBSTRATE 2.BREATHER MEMBRANE by others by others 3.THERMAL ISOLATOR 4.FORTIS HELPING HAND BRACKET 5.PRIMARY FIXING 6.THERMAL INSULATION 7. T / L / CORNER PROFILE 8.SELF DRILL SCREW 9.EPDM RUBBER PROFILE 10.CASSETTE CLIP 11.ALUMINIUM PANEL



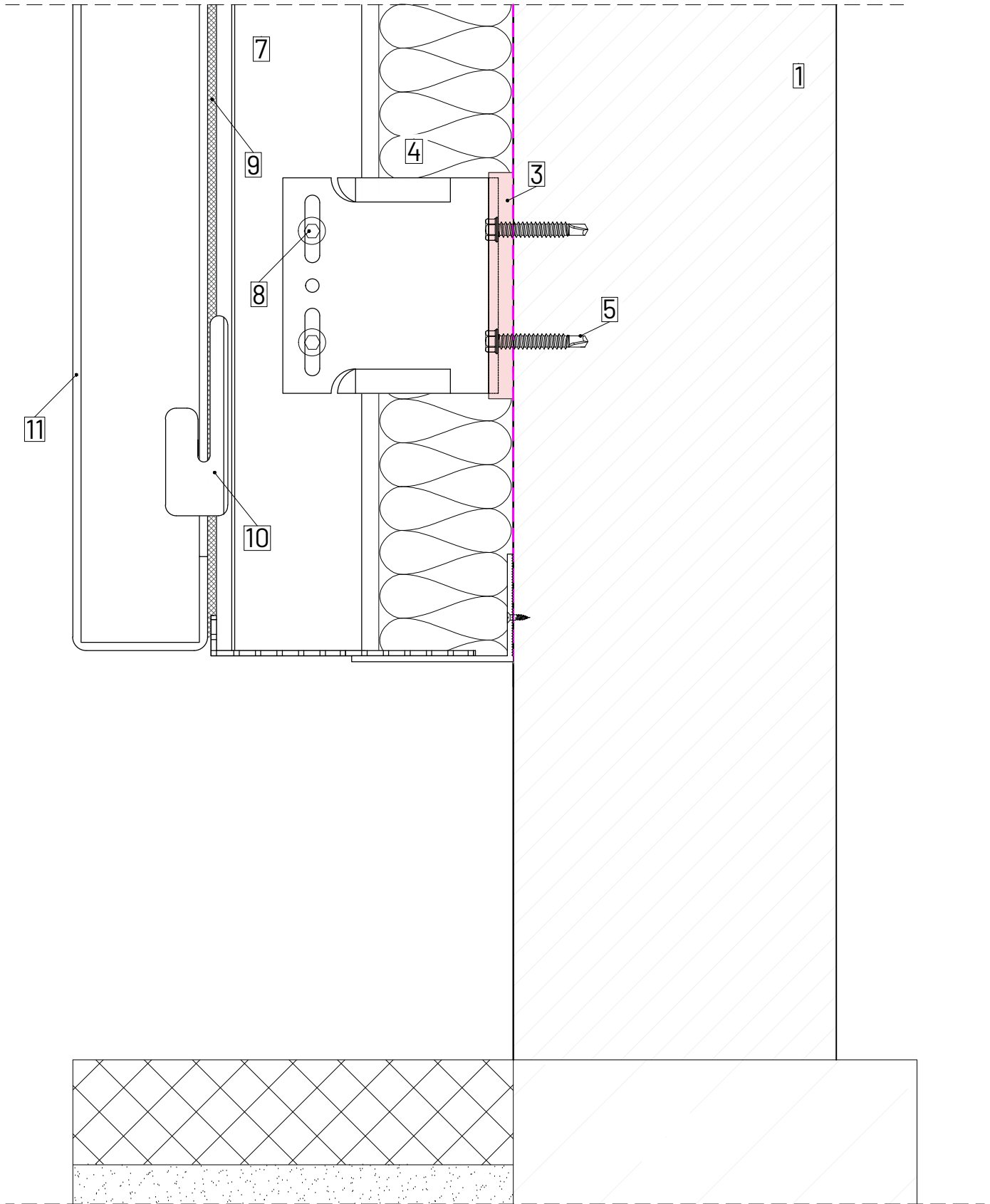
LEGEND | 1.SUBSTRATE 2.BREATHER MEMBRANE by others by others 3.THERMAL ISOLATOR 4.FORTIS HELPING HAND BRACKET 5.PRIMARY FIXING 6.THERMAL INSULATION 7. T / L / CORNER PROFILE 8.SELF DRILL SCREW 9.EPDM RUBBER PROFILE 10.CASSETTE CLIP 11.ALUMINIUM PANEL



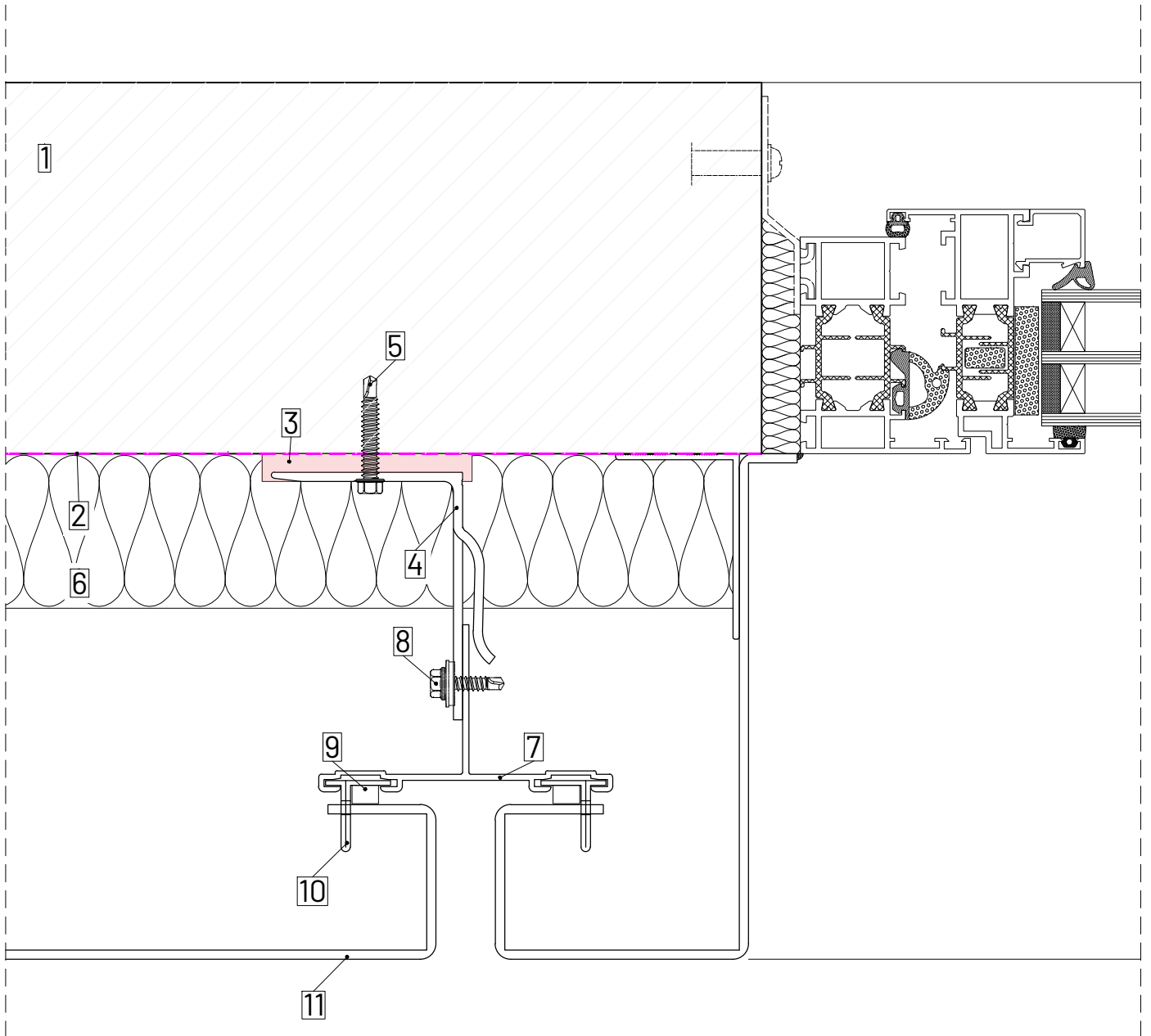
LEGEND | 1.SUBSTRATE 2.BREATHER MEMBRANE by others by others 3.THERMAL ISOLATOR 4.FORTIS HELPING HAND BRACKET 5.PRIMARY FIXING 6.THERMAL INSULATION 7. T / L / CORNER PROFILE 8.SELF DRILL SCREW 9.EPDM RUBBER PROFILE 10.CASSETTE CLIP 11.ALUMINIUM PANEL



LEGEND | 1.SUBSTRATE 2.BREATHER MEMBRANE by others by others 3.THERMAL ISOLATOR 4.FORTIS HELPING HAND BRACKET 5.PRIMARY FIXING 6.THERMAL INSULATION 7. T / L / CORNER PROFILE 8.SELF DRILL SCREW 9.EPDM RUBBER PROFILE 10.CASSETTE CLIP 11.ALUMINIUM PANEL



LEGEND | 1.SUBSTRATE 2.BREATHER MEMBRANE by others by others 3.THERMAL ISOLATOR 4.FORTIS HELPING HAND BRACKET 5.PRIMARY FIXING 6.THERMAL INSULATION 7. T / L / CORNER PROFILE 8.SELF DRILL SCREW 9.EPDM RUBBER PROFILE 10.CASSETTE CLIP 11.ALUMINIUM PANEL



LEGEND | 1.SUBSTRATE 2.BREATHER MEMBRANE by others by others 3.THERMAL ISOLATOR 4.FORTIS HELPING HAND BRACKET 5.PRIMARY FIXING 6.THERMAL INSULATION 7. T / L / CORNER PROFILE 8.SELF DRILL SCREW 9.EPDM RUBBER PROFILE 10.CASSETTE CLIP 11.ALUMINIUM PANEL



www.cladmate.co.uk | technical@cladmate.co.uk

system title:
CASSETTE CLADDING SUPPORT SYSTEM

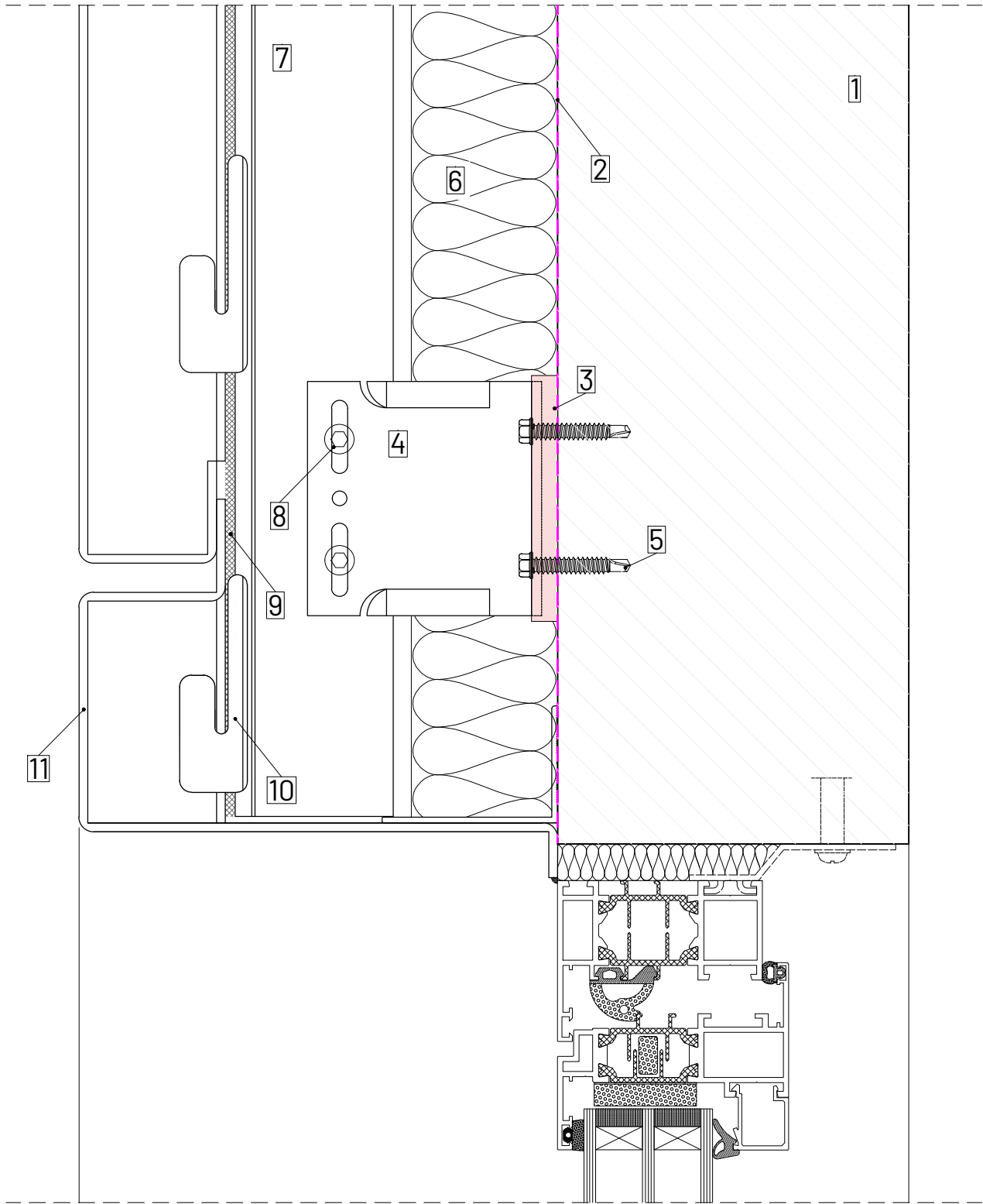
drawing title:
WINDOW REVEAL DETAIL

date:
Jun 2024

scale:
NTS
@A4

system no:
CMS-10

drawing no: 07
rev: X



LEGEND | 1.SUBSTRATE 2.BREATHER MEMBRANE by others by others 3.THERMAL ISOLATOR 4.FORTIS HELPING HAND BRACKET 5.PRIMARY FIXING 6.THERMAL INSULATION 7. T / L / CORNER PROFILE 8.SELF DRILL SCREW 9.EPDM RUBBER PROFILE 10.CASSETTE CLIP 11.ALUMINIUM PANEL



www.cladmatedesign.co.uk | technical@cladmatedesign.co.uk

system title:
CASSETTE CLADDING SUPPORT SYSTEM

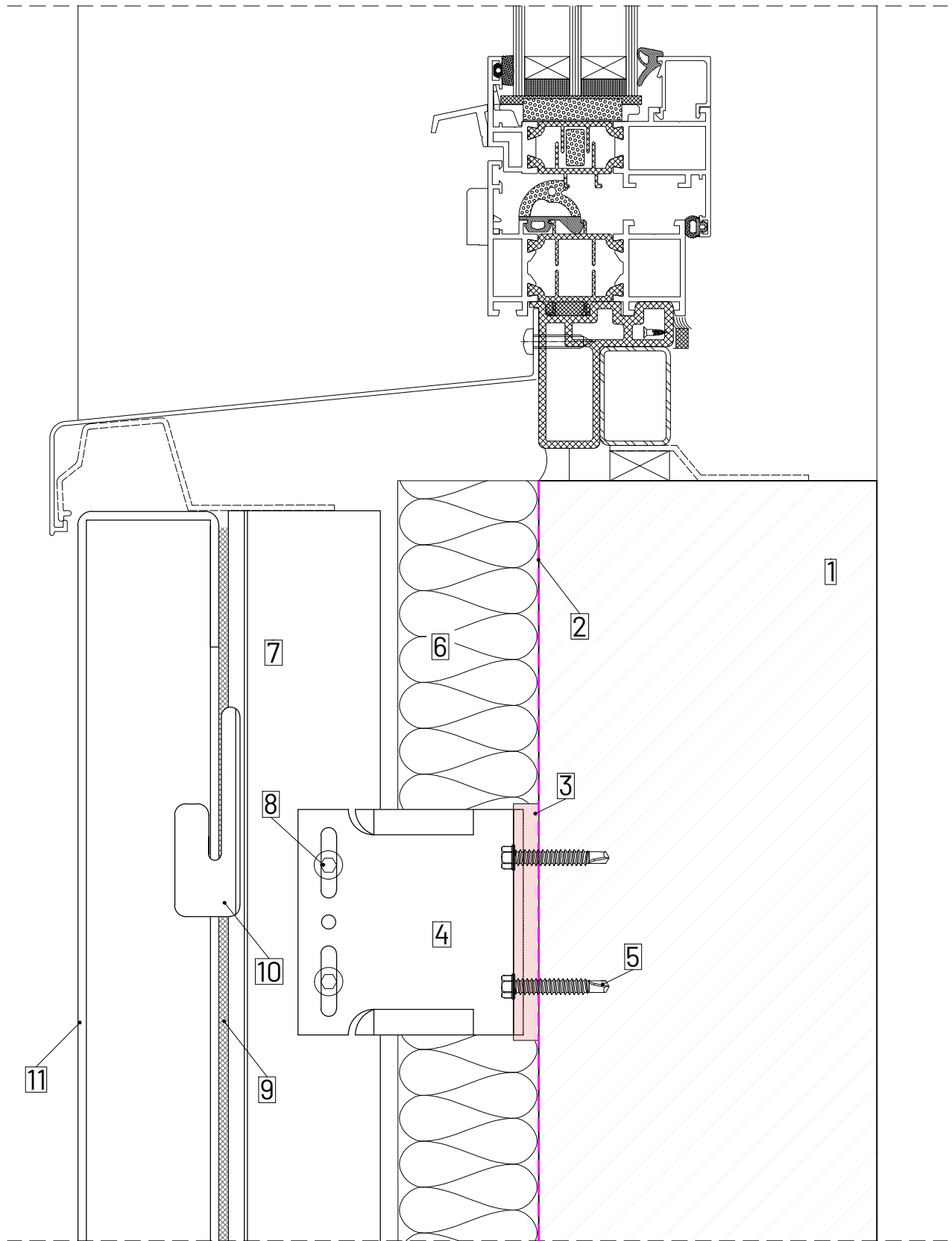
drawing title:
WINDOW HEAD DETAIL

date:
Jun 2024

scale:
NTS
@A4

system no:
CMS-10

drawing no: 08
rev: X



LEGEND | 1.SUBSTRATE 2.BREATHER MEMBRANE by others by others 3.THERMAL ISOLATOR 4.FORTIS HELPING HAND BRACKET 5.PRIMARY FIXING 6.THERMAL INSULATION 7. T / L / CORNER PROFILE 8.SELF DRILL SCREW 9.EPDM RUBBER PROFILE 10.CASSETTE CLIP 11.ALUMINIUM PANEL