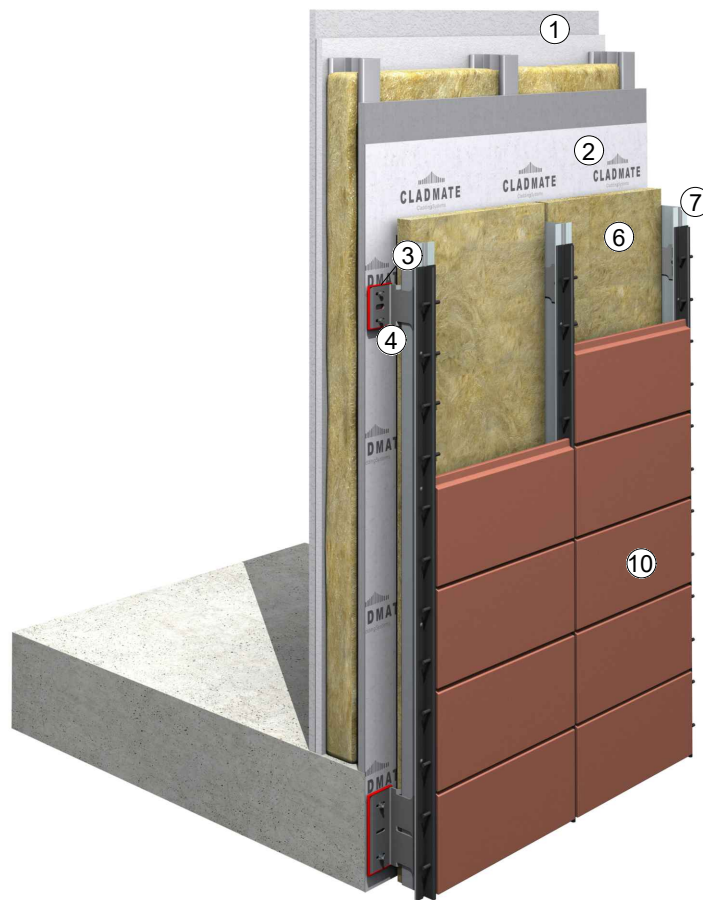


# **CLADMATE**

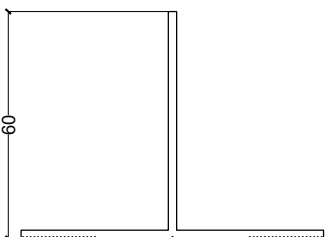
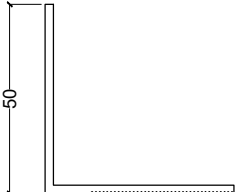
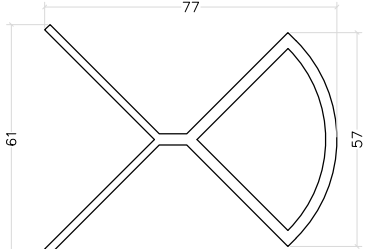
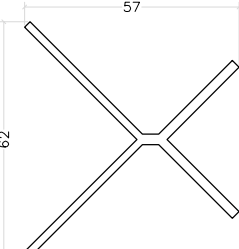
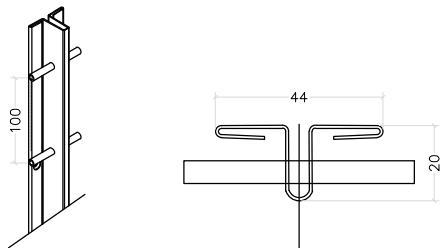
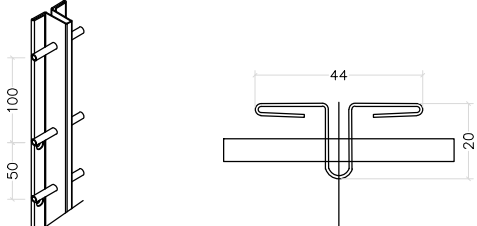
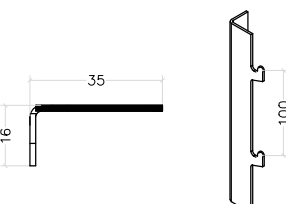
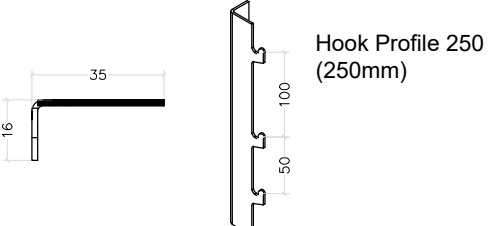
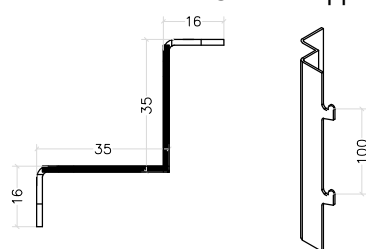
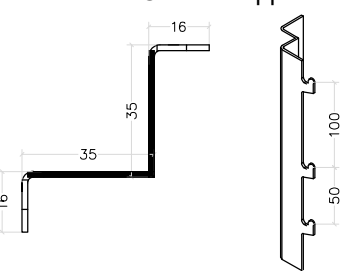
CladdingSystems

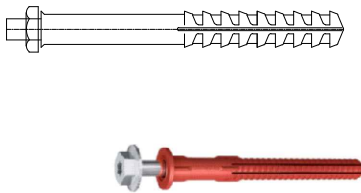
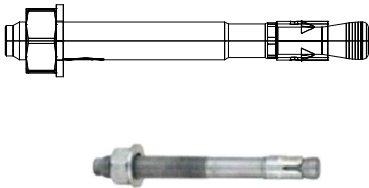



## **CMS20**

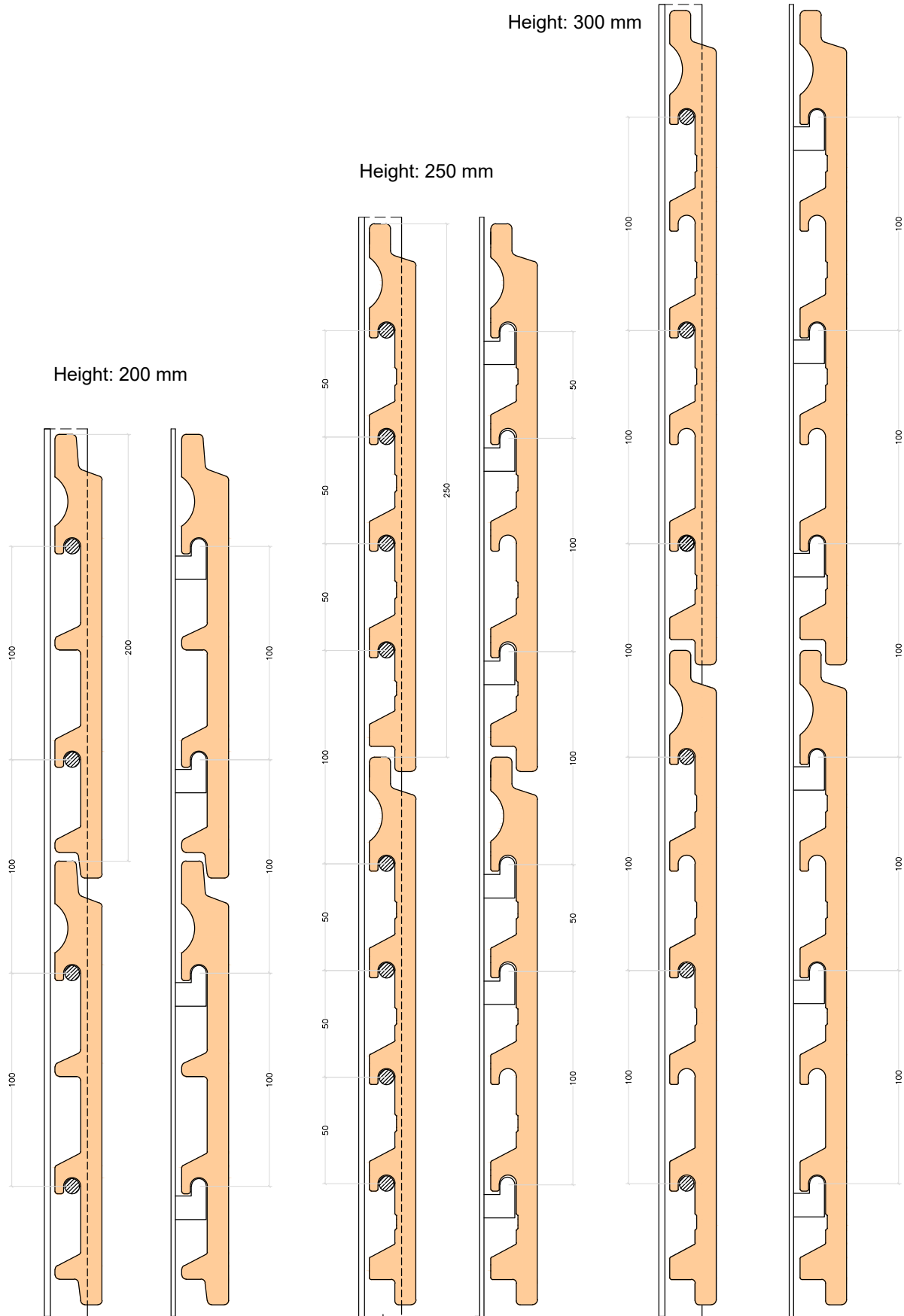
SINGLE SKIN TERRACOTA  
CLADDING SUPPORT SYSTEM

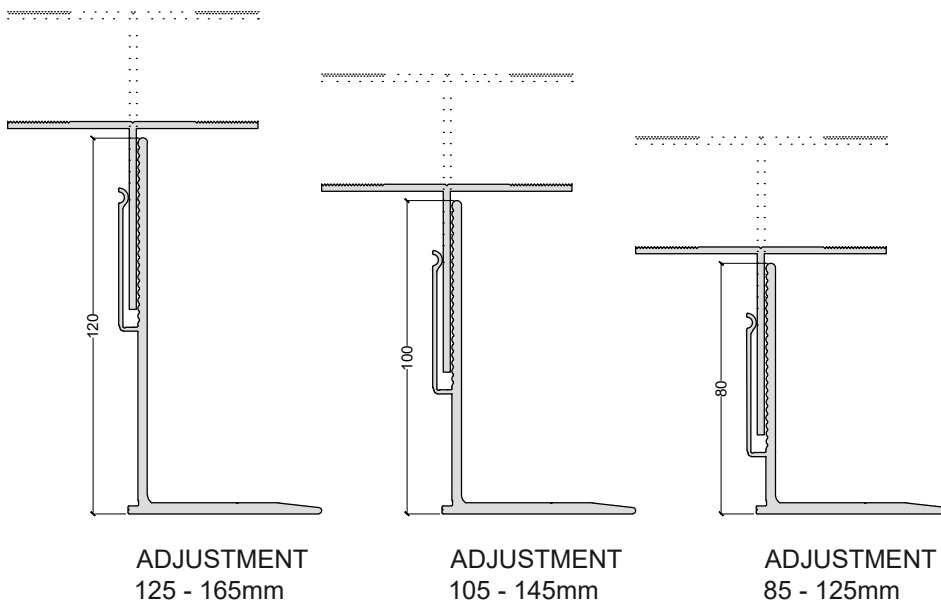
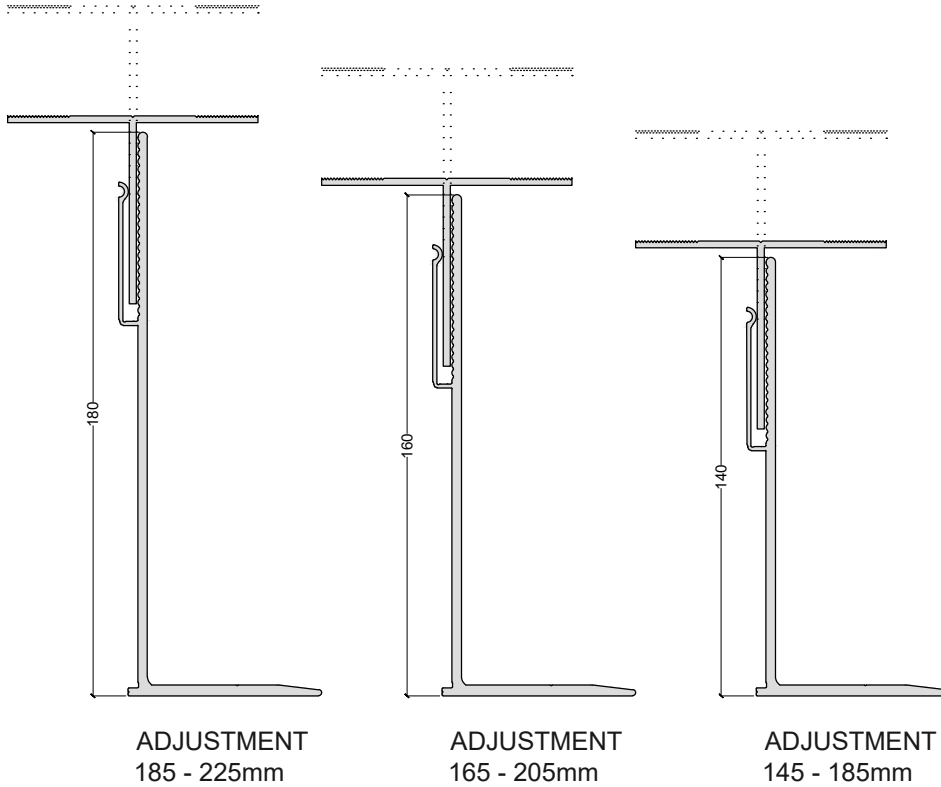


1. CONCRETE / BLOCK WORK
2. BREATHER MEMBRANE
3. THERMAL ISOLATOR
4. SUPPORT BRACKET
5. PRIMARY FIXING
6. THERMAL INSULATION
7. T / L / CORNER PROFILE
8. SELF DRILL SCREW
9. DOUBLE SIDED TAPE / NORTON TAPE
10. CLADDING (TERRACOTTA)
11. RIVET/SCREW
12. VENTILATION
13. HANGER / SIDE PROFILE
14. STEEL ANGLE

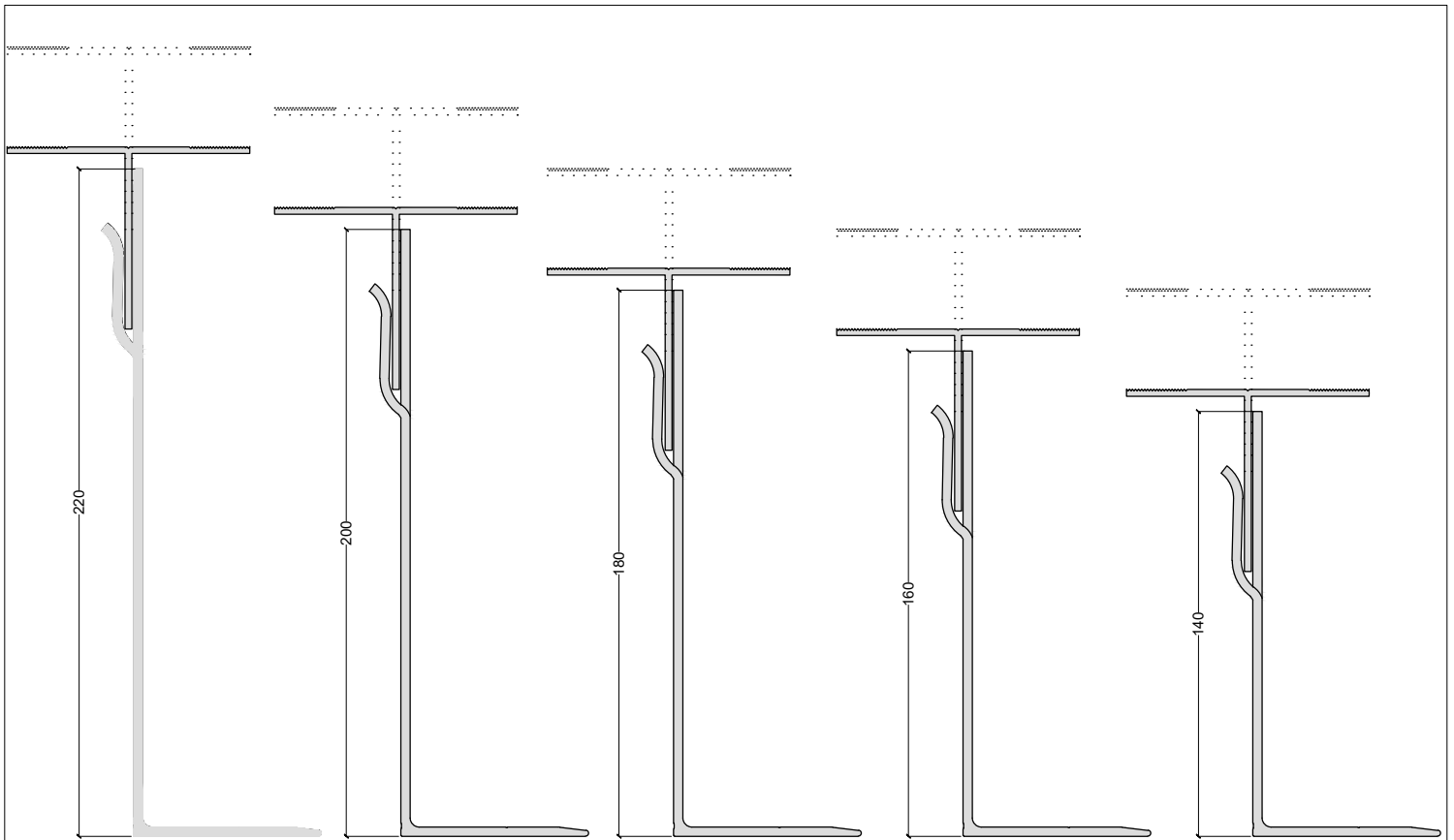
code	name	profile features	code	name	profile features
	<b>T Profile</b>			<b>L Profile</b>	
TP60 Series TP60-80-2.2-3000/6000 TP60-100-2.2-3000/6000 TP60-120-2.2-3000/6000 TP60-140-2.2-3000/6000		colour/finish : RAL & Anodised TBC	LP50 & LP60 Series LP50-50-2.2-3000/6000 LP60-40-2.2-3000/6000 LP60-40-2.5-3000/6000		colour/finish : RAL & Anodised TBC
	<b>Closed Corner Profile</b>			<b>Open Corner Profile</b>	
VCC-P01-3000		colour/finish : RAL & Anodised TBC	VOC-P01-3000		Open Corner Profile colour/finish : RAL & Anodised TBC
	<b>Vertical Pined Support Profile</b>			<b>Vertical Support Profile</b>	
VPH100-200/300-3000		colour/finish : RAL & Anodised TBC	VPH250-250-3000		colour/finish : RAL & Anodised TBC
	<b>Vertical Support Profile</b>			<b>Vertical Support Profile</b>	
VHP-100-200/300-3000		colour/finish : RAL & Anodised TBC	VHP-250-250-3000		Hook Profile 250 (250mm) colour/finish : RAL & Anodised TBC
	<b>Vertical Corner Support Profile</b>			<b>Vertical Corner Support Profile</b>	
CHP-100-200/300-3000		colour/finish : RAL & Anodised TBC	CHP-250-250-3000		colour/finish : RAL & Anodised TBC

code	name	profile features	code	name	profile features
<b>Masonry Primary Fixing</b>  SDF-KB-10H-80E SDF-KB-10H-100E colour/finish : Stainless Steel			<b>Masonry Primary Anchor Bolt Fixing</b>  BA-E-10/10 BA-V-10/10 colour/finish : Stainless Steel		
<b>Timber Fixing</b> ES-TS-6.3x32 ES-TS-6.3x45 ES-TS-6.3x60			<b>SFS Fixing</b> EJ-JT3-3-6.3X25 S16 EJ-JT3-3-6.3X38 S16 EJ-JT3-3-6.3X50 S16		
<b>Self Drive Screw</b> 3,9x19 YSB (M.U.V)    4,8x16 YSB (M.U.V)  ..... SR2-4,2-16***			<b>Steel Frame Primary Fixing (Bi-met Fastener Washer)</b>  JT3-3-6.3-38-S16 JT3-3-6.3-50-S16		
<b>Stainles Steel Rivet</b>  4x10 Rivet                      4,8x25 Rivet TP01 colour/finish : RAL TBC					





BRACKET	ADJUSTMENT RANGE (mm)
SMART BRACKET 180	185 - 225
SMART BRACKET 160	165 - 205
SMART BRACKET 140	145 - 185
SMART BRACKET 120	125 - 165
SMART BRACKET 100	105 - 145
SMART BRACKET 80	85 - 125



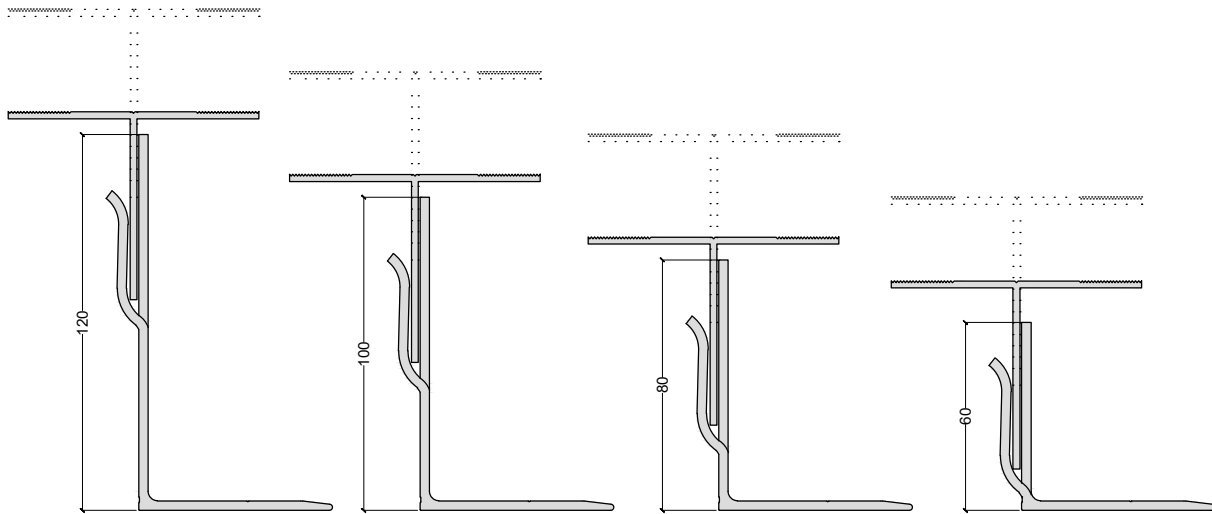
ADJUSTMENT  
225 - 265mm

ADJUSTMENT  
205 - 245mm

ADJUSTMENT  
185 - 225mm

ADJUSTMENT  
165 - 205mm

ADJUSTMENT  
145 - 175mm



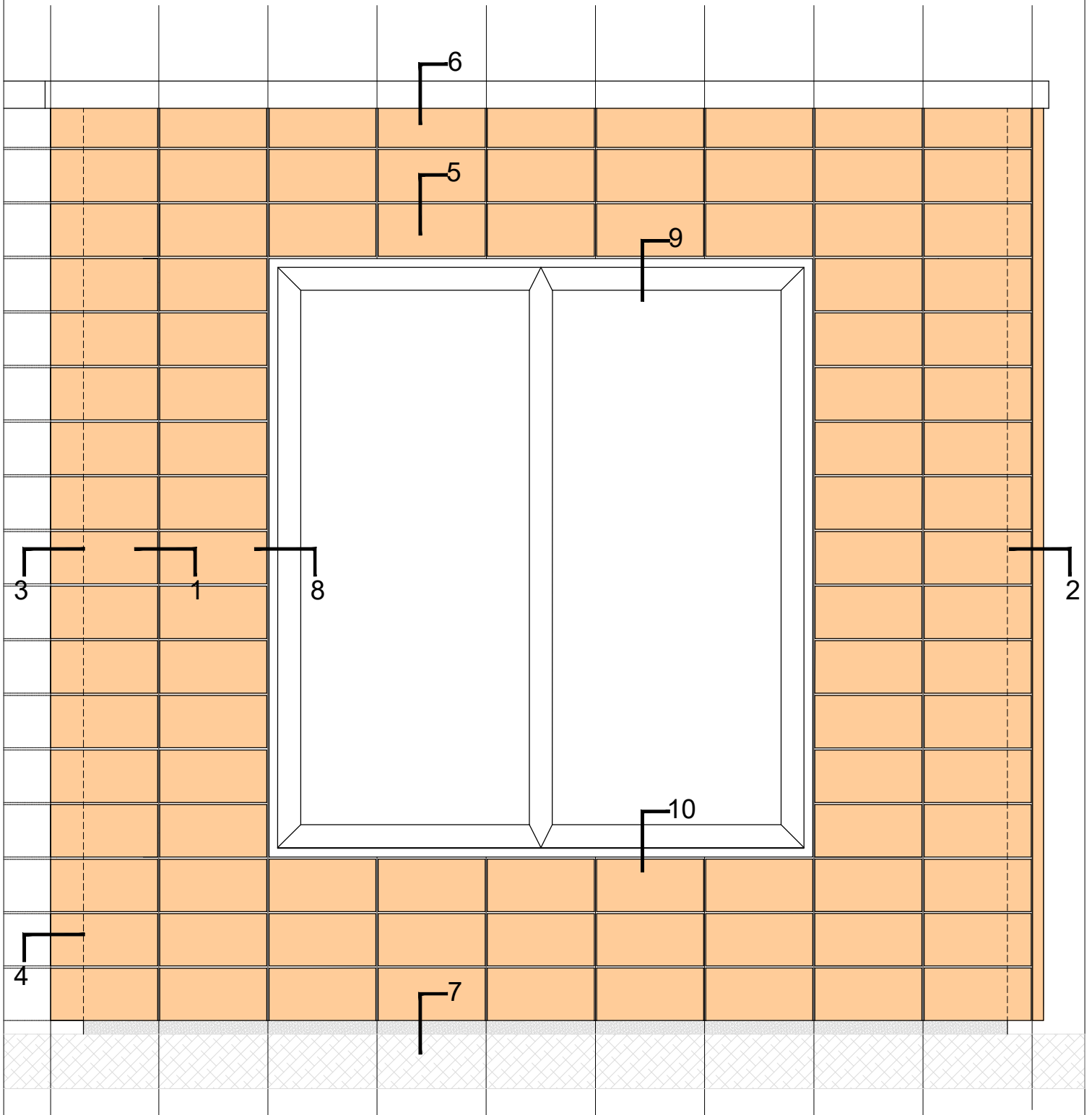
ADJUSTMENT  
125 - 165mm

ADJUSTMENT  
105 - 145mm

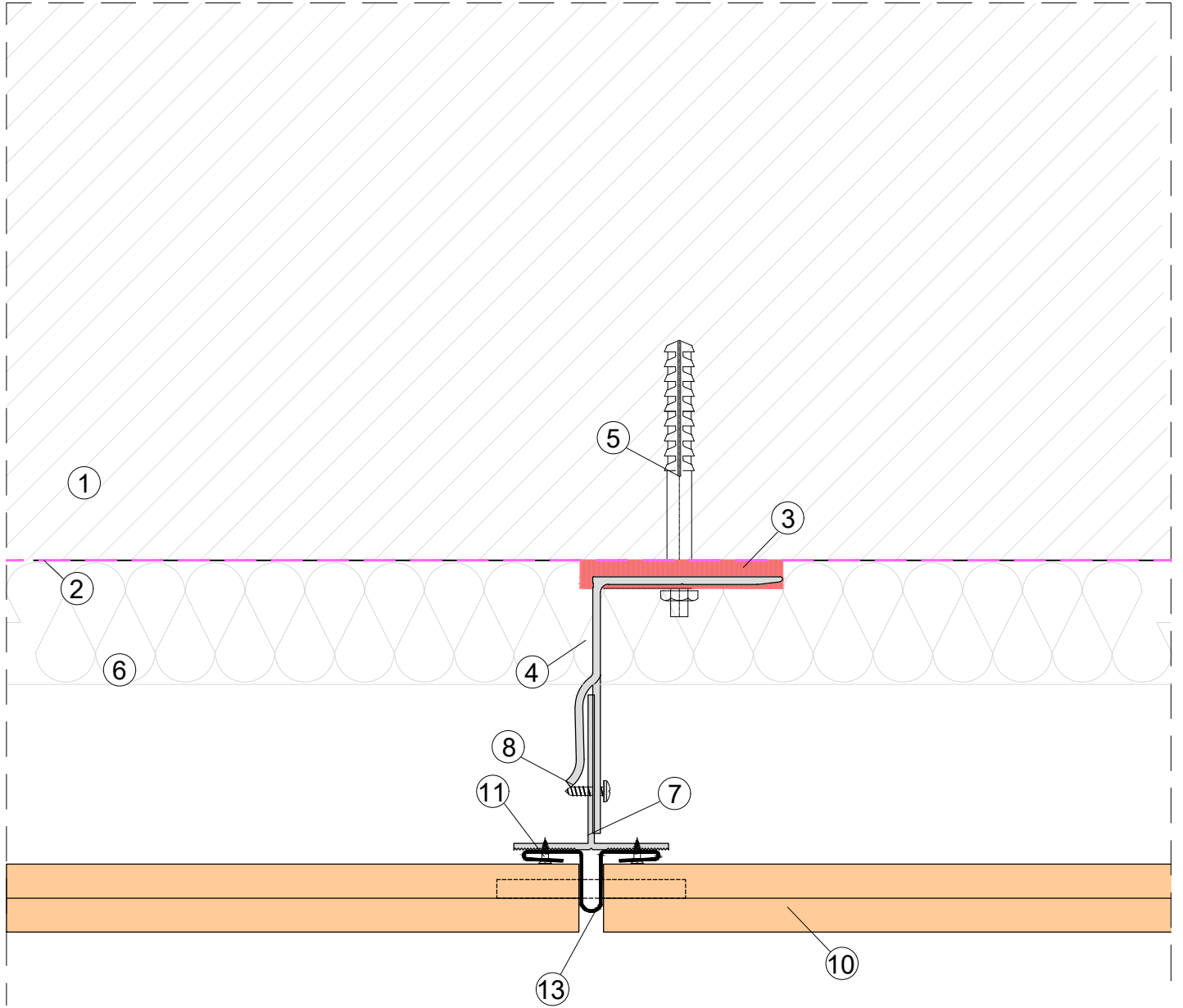
ADJUSTMENT  
85 - 125mm

ADJUSTMENT  
65 - 105mm

BRACKET	ADJUSTMENT RANGE (mm)
FORTIS BRACKET 220	225 - 265
FORTIS BRACKET 200	205 - 245
FORTIS BRACKET 180	185 - 225
FORTIS BRACKET 160	165 - 205
FORTIS BRACKET 140	145 - 185
FORTIS BRACKET 120	125 - 165
FORTIS BRACKET 100	105 - 145
FORTIS BRACKET 80	85 - 125
FORTIS BRACKET 60	65 - 105







**LEGEND**

- 1.CONCRETE / BLOCK WORK 2.BREATHER MEMBRANE 3.THERMAL ISOLATOR 4.SUPPORT BRACKET 5.PRIMARY FIXING 6.THERMAL INSULATION 7.T / L / CORNER PROFILE  
 8.SELF DRILL SCREW 9.DOUBLE SIDED TAPE / NORTON TAPE 10.CLADDING (TERRACOTTA) 11.RIVET/SCREW 12.VENTILATION 13.HANGER / SIDE PROFILE 14.STEEL ANGLE

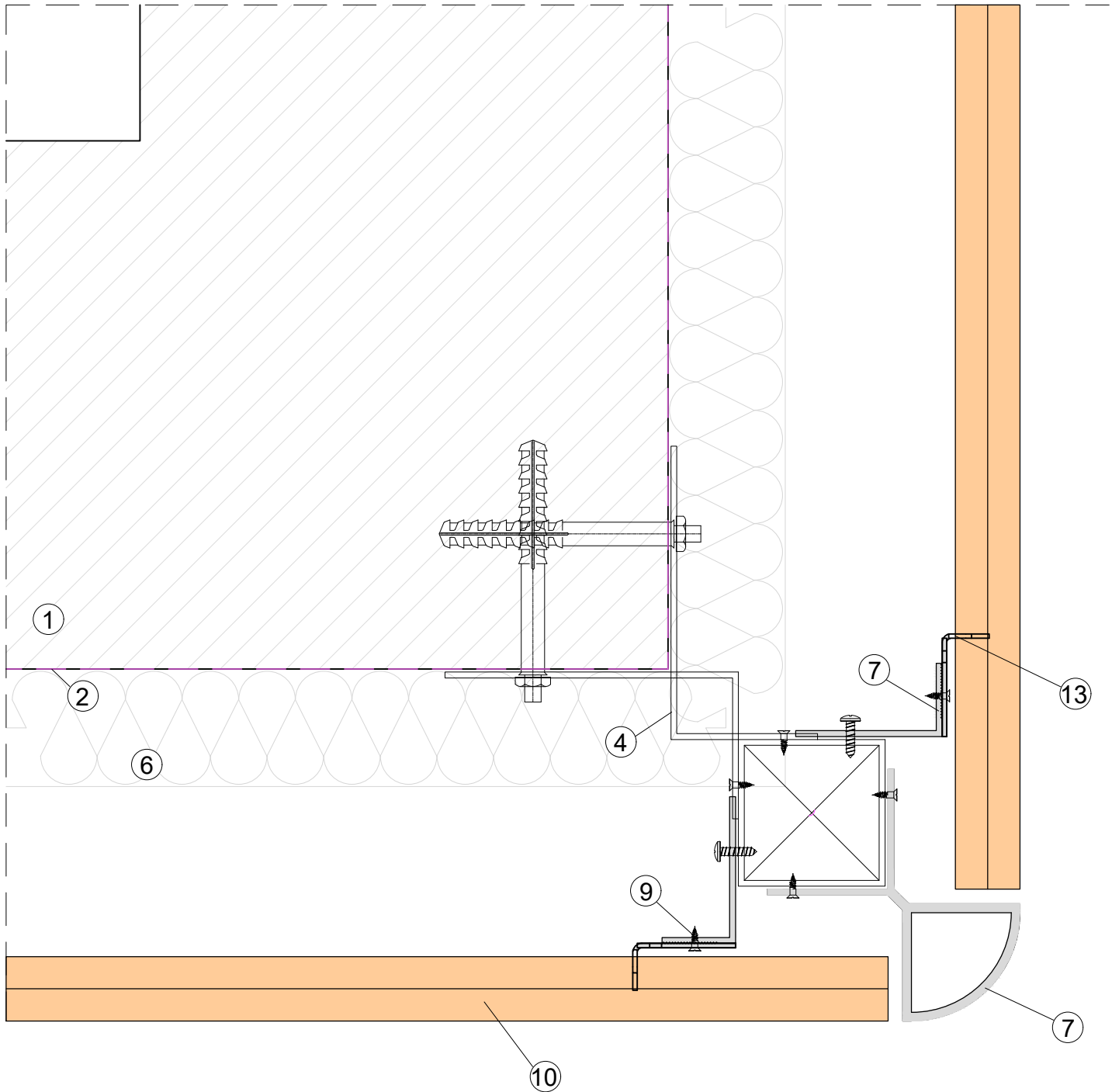


system title:  
**SINGLE SKIN TERRACOTTA  
 CLADDING SUPPORT SYSTEM**

drawing title:  
**DETAIL 1**

date:  
**Apr 2019** scale:  
**NTS**

system no: drawing no: revision:  
**CMS-20 02 01**



**LEGEND**

- 1.CONCRETE / BLOCK WORK 2.BREATHER MEMBRANE 3.THERMAL ISOLATOR 4.SUPPORT BRACKET 5.PRIMARY FIXING 6.THERMAL INSULATION 7.T / L / CORNER PROFILE  
 8.SELF DRILL SCREW 9.DOUBLE SIDED TAPE / NORTON TAPE 10.CLADDING (TERRACOTTA) 11.RIVET/SCREW 12.VENTILATION 13.HANGER / SIDE PROFILE 14.STEEL ANGLE



www.cladmate.co.uk | technical@cladmate.co.uk

system title:

**SINGLE SKIN TERRACOTTA  
 CLADDING SUPPORT SYSTEM**

drawing title:

**DETAIL 2A**

date:

**Apr 2019**

scale:

**NTS**

system no:

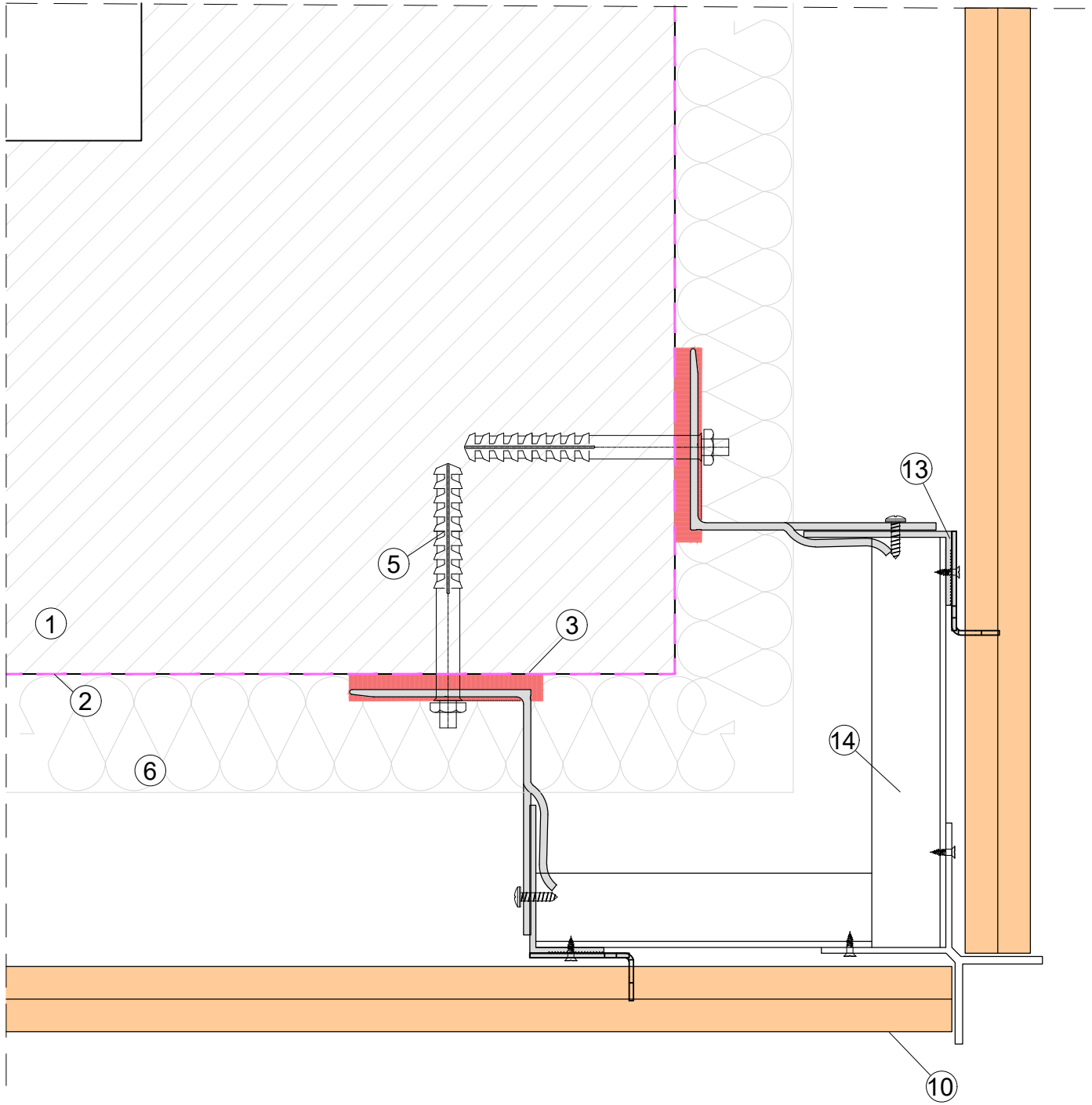
**CMS-20 03**

drawing no:

**03**

revision:

**01**



**LEGEND**

- 1.CONCRETE / BLOCK WORK 2.BREATHER MEMBRANE 3.THERMAL ISOLATOR 4.SUPPORT BRACKET 5.PRIMARY FIXING 6.THERMAL INSULATION 7.T / L / CORNER PROFILE  
 8.SELF DRILL SCREW 9.DOUBLE SIDED TAPE / NORTON TAPE 10.CLADDING (TERRACOTTA) 11.RIVET/SCREW 12.VENTILATION 13.HANGER / SIDE PROFILE 14.STEEL ANGLE



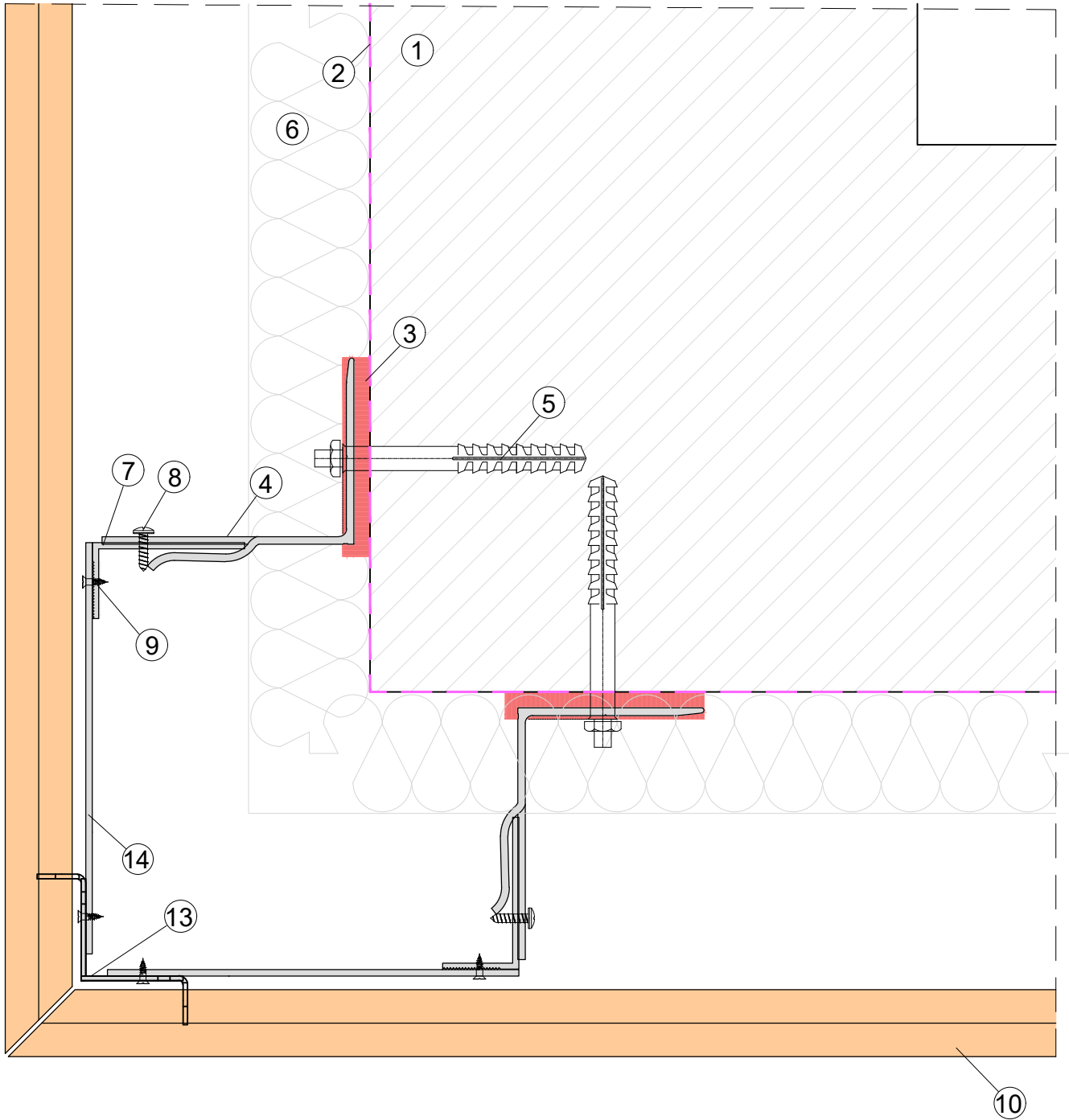
www.cladmate.co.uk | technical@cladmate.co.uk

system title:  
**SINGLE SKIN TERRACOTTA  
 CLADDING SUPPORT SYSTEM**

drawing title:  
**DETAIL 2B**

date:  
**Apr 2019** scale:  
**NTS**

system no: drawing no: revision:  
**CMS-20 04 01**



**LEGEND**

- 1.CONCRETE / BLOCK WORK 2.BREATHER MEMBRANE 3.THERMAL ISOLATOR 4.SUPPORT BRACKET 5.PRIMARY FIXING 6.THERMAL INSULATION 7.T / L / CORNER PROFILE  
 8.SELF DRILL SCREW 9.DOUBLE SIDED TAPE / NORTON TAPE 10.CLADDING (TERRACOTTA) 11.RIVET/SCREW 12.VENTILATION 13.HANGER / SIDE PROFILE 14.STEEL ANGLE



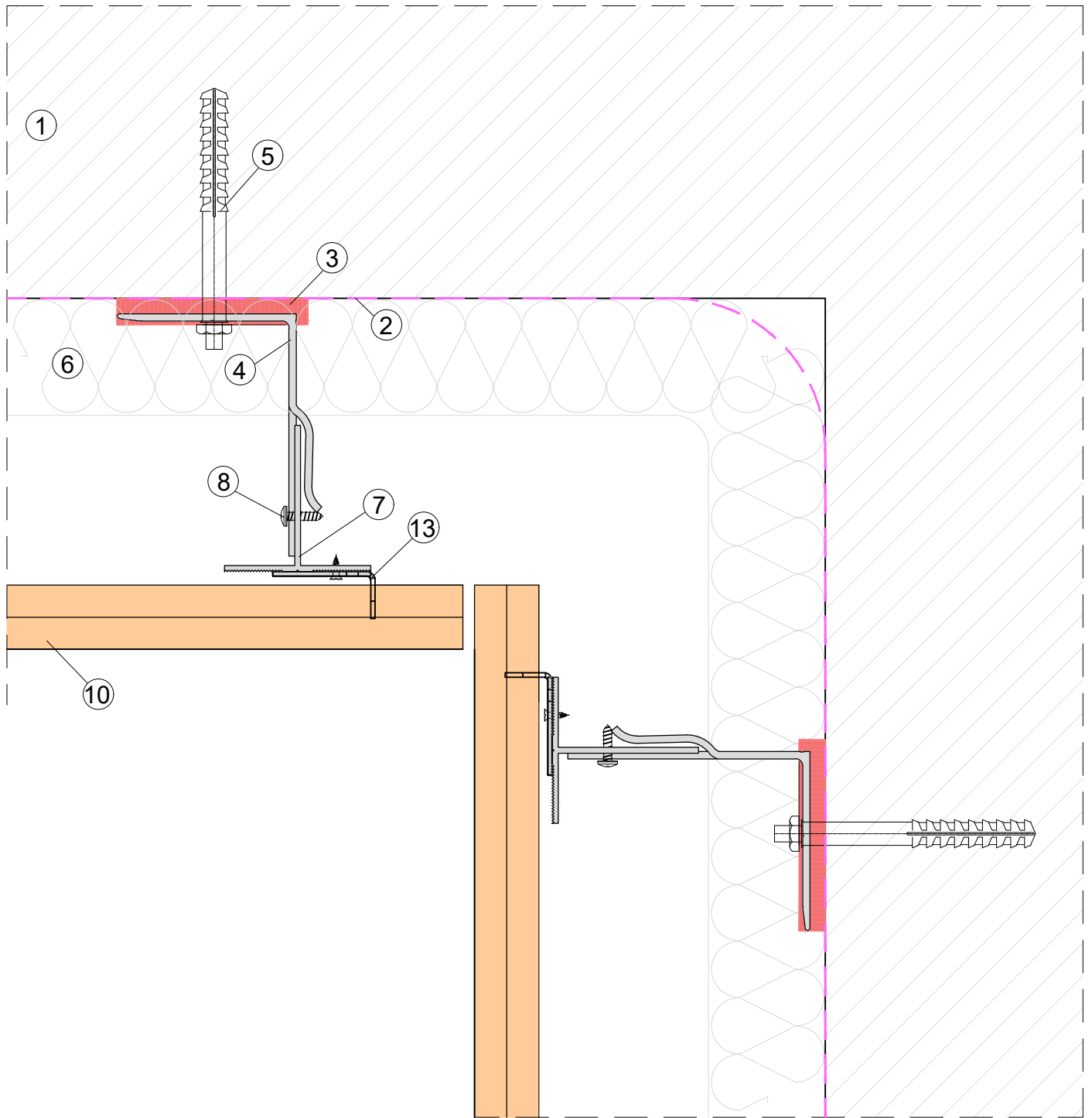
www.cladmate.co.uk | technical@cladmate.co.uk

system title:  
**SINGLE SKIN TERRACOTTA  
 CLADDING SUPPORT SYSTEM**

drawing title:  
**DETAIL 3**

date:  
**Apr 2019** scale:  
**NTS**

system no: drawing no: revision:  
**CMS-20 05 01**



**LEGEND**

- 1.CONCRETE / BLOCK WORK 2.BREATHER MEMBRANE 3.THERMAL ISOLATOR 4.SUPPORT BRACKET 5.PRIMARY FIXING 6.THERMAL INSULATION 7.T / L / CORNER PROFILE  
 8.SELF DRILL SCREW 9.DOUBLE SIDED TAPE / NORTON TAPE 10.CLADDING (TERRACOTTA) 11.RIVET/SCREW 12.VENTILATION 13.HANGER / SIDE PROFILE 14.STEEL ANGLE



www.cladmate.co.uk | technical@cladmate.co.uk

system title:  
**SINGLE SKIN TERRACOTTA  
 CLADDING SUPPORT SYSTEM**

drawing title:  
**DETAIL 4**

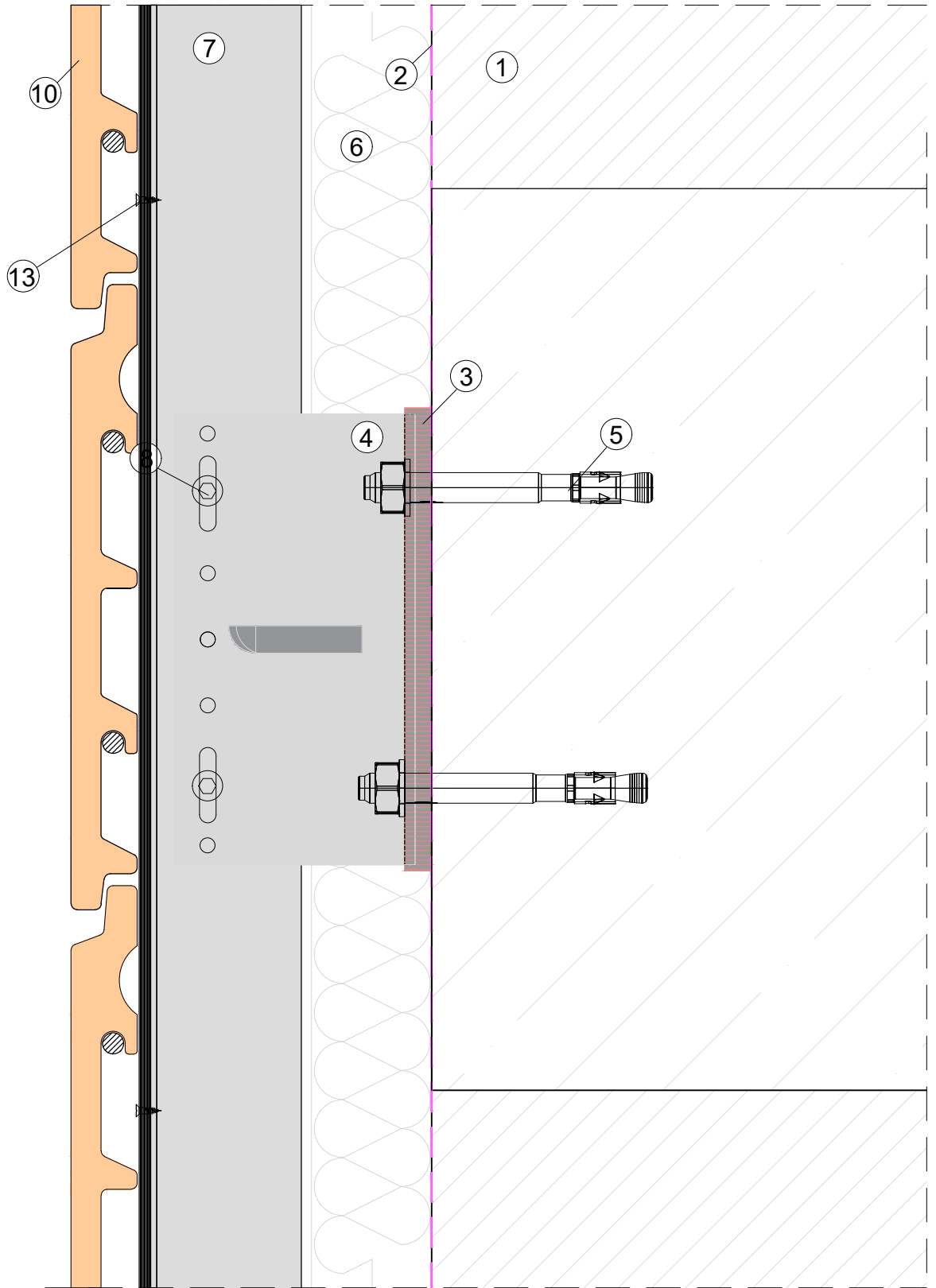
date:  
**Apr 2019**

scale:  
**NTS**

system no:  
**CMS-20 06**

drawing no:  
**06**

revision:  
**01**



**LEGEND**

1.CONCRETE / BLOCK WORK 2.BREATHER MEMBRANE 3.THERMAL ISOLATOR 4.SUPPORT BRACKET 5.PRIMARY FIXING 6.THERMAL INSULATION 7.T / L / CORNER PROFILE  
 8.SELF DRILL SCREW 9.DOUBLE SIDED TAPE / NORTON TAPE 10.CLADDING (TERRACOTTA) 11.RIVET/SCREW 12.VENTILATION 13.HANGER / SIDE PROFILE 14.STEEL ANGLE



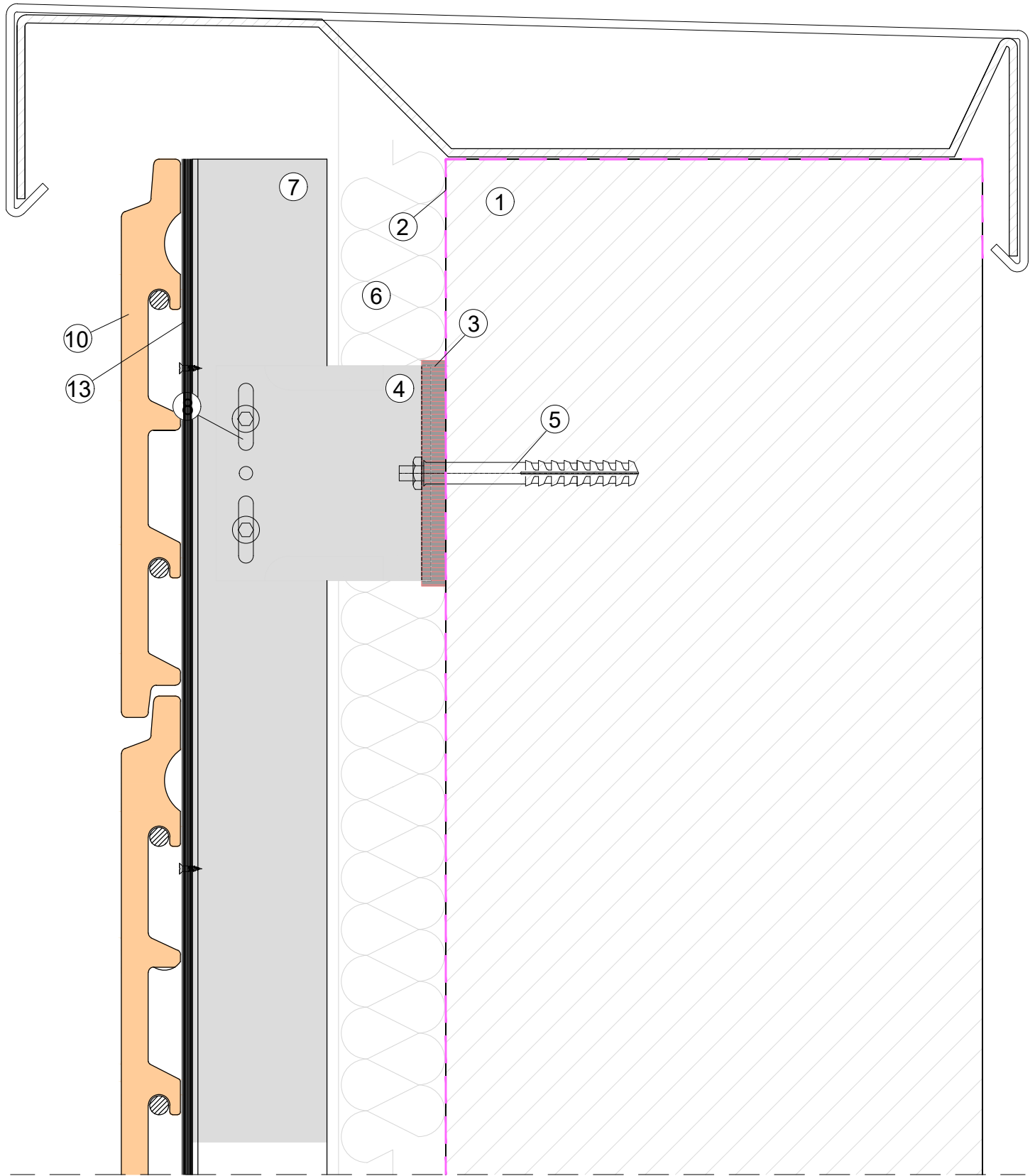
www.cladmate.co.uk | technical@cladmate.co.uk

system title:  
**SINGLE SKIN TERRACOTTA  
 CLADDING SUPPORT SYSTEM**

drawing title:  
**DETAIL 5**

date: **Apr 2019** scale: **NTS**

system no: **CMS-20** drawing no: **07** revision: **01**



**LEGEND**

1.CONCRETE / BLOCK WORK 2.BREATHER MEMBRANE 3.THERMAL ISOLATOR 4.SUPPORT BRACKET 5.PRIMARY FIXING 6.THERMAL INSULATION 7.T / L / CORNER PROFILE 8.SELF DRILL SCREW 9.DOUBLE SIDED TAPE / NORTON TAPE 10.CLADDING (TERRACOTTA) 11.RIVET/SCREW 12.VENTILATION 13.HANGER / SIDE PROFILE 14.STEEL ANGLE



www.cladmate.co.uk | technical@cladmate.co.uk

system title:

**SINGLE SKIN TERRACOTTA  
CLADDING SUPPORT SYSTEM**

drawing title:

**DETAIL 6**

date:

**Apr 2019**

scale:

**NTS**

system no:

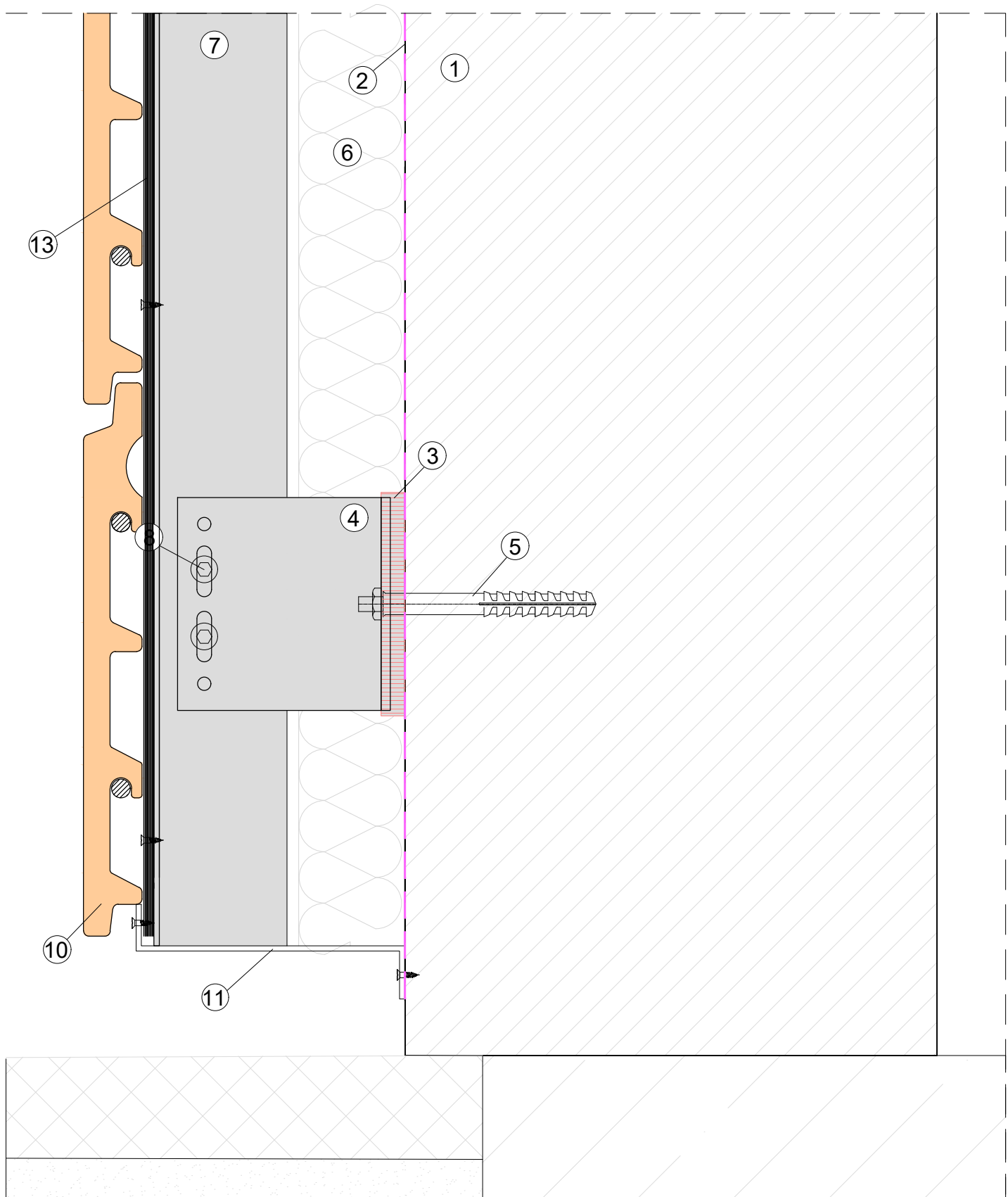
**CMS-20 08**

drawing no:

**08**

revision:

**01**



**LEGEND**

1.CONCRETE / BLOCK WORK 2.BREATHER MEMBRANE 3.THERMAL ISOLATOR 4.SUPPORT BRACKET 5.PRIMARY FIXING 6.THERMAL INSULATION 7.T / L / CORNER PROFILE  
 8.SELF DRILL SCREW 9.DOUBLE SIDED TAPE / NORTON TAPE 10.CLADDING (TERRACOTTA) 11.RIVET/SCREW 12.VENTILATION 13.HANGER / SIDE PROFILE 14.STEEL ANGLE



www.cladmate.co.uk | technical@cladmate.co.uk

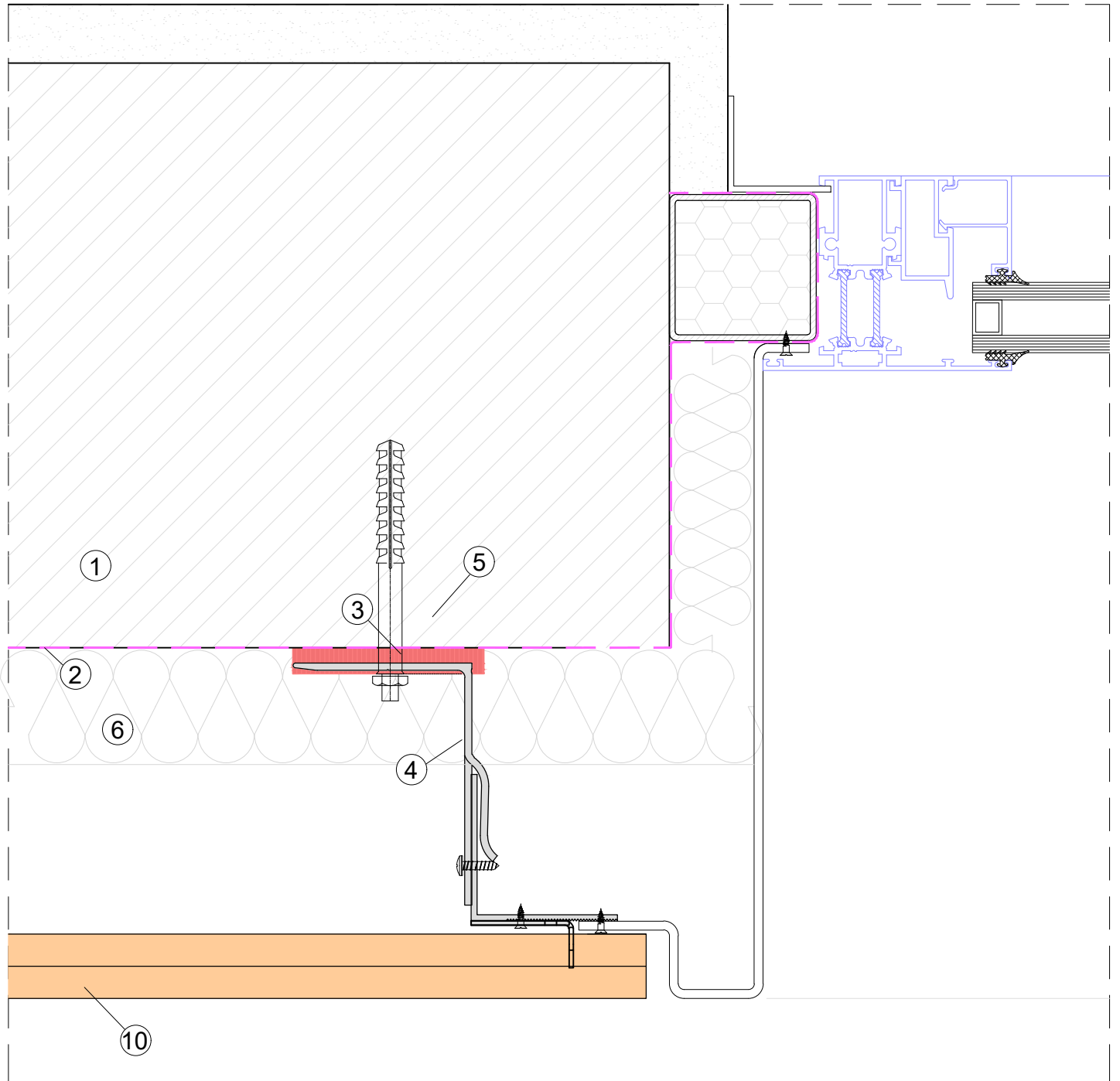
system title:  
**SINGLE SKIN TERRACOTTA  
 CLADDING SUPPORT SYSTEM**

drawing title:  
**DETAIL 7**

date:  
**Apr 2019** scale:  
**NTS**

system no: drawing no: revision:  
**CMS-20 09 01**





**LEGEND**

- 1.CONCRETE / BLOCK WORK 2.BREATHER MEMBRANE 3.THERMAL ISOLATOR 4.SUPPORT BRACKET 5.PRIMARY FIXING 6.THERMAL INSULATION 7.T / L / CORNER PROFILE  
 8.SELF DRILL SCREW 9.DOUBLE SIDED TAPE / NORTON TAPE 10.CLADDING (TERRACOTTA) 11.RIVET/SCREW 12.VENTILATION 13.HANGER / SIDE PROFILE 14.STEEL ANGLE



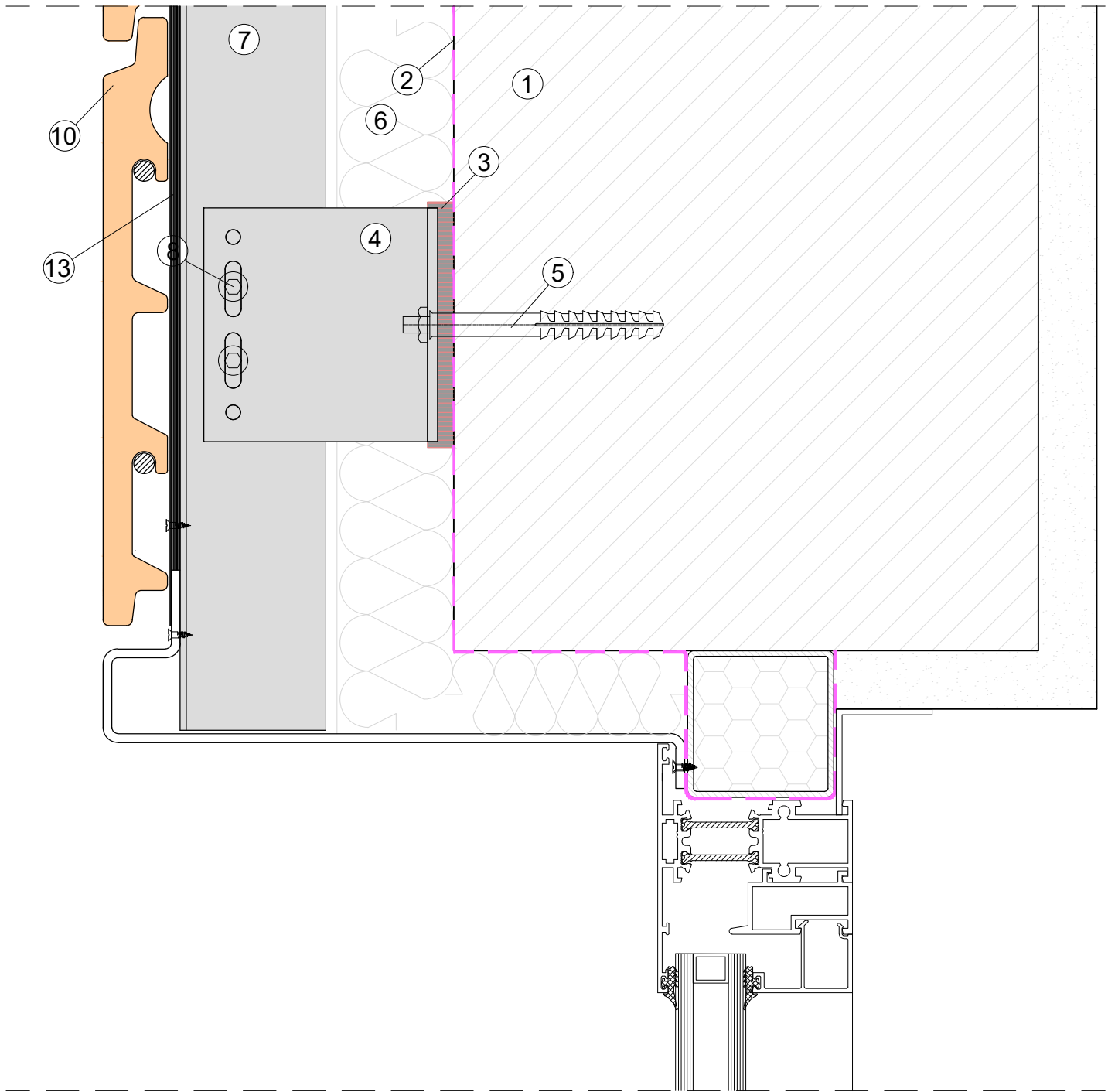
www.cladmate.co.uk | technical@cladmate.co.uk

system title:  
**SINGLE SKIN TERRACOTTA  
 CLADDING SUPPORT SYSTEM**

drawing title:  
**DETAIL 8**

date: **Apr 2019** scale: **NTS**

system no: **CMS-20** drawing no: **10** revision: **01**



**LEGEND**

1.CONCRETE / BLOCK WORK 2.BREATHER MEMBRANE 3.THERMAL ISOLATOR 4.SUPPORT BRACKET 5.PRIMARY FIXING 6.THERMAL INSULATION 7.T / L / CORNER PROFILE  
8.SELF DRILL SCREW 9.DOUBLE SIDED TAPE / NORTON TAPE 10.CLADDING (TERRACOTTA) 11.RIVET/SCREW 12.VENTILATION 13.HANGER / SIDE PROFILE 14.STEEL ANGLE



www.cladmate.co.uk | technical@cladmate.co.uk

system title:

**SINGLE SKIN TERRACOTTA  
CLADDING SUPPORT SYSTEM**

drawing title:

**DETAIL 9**

date:

**Apr 2019**

scale:

**NTS**

system no:

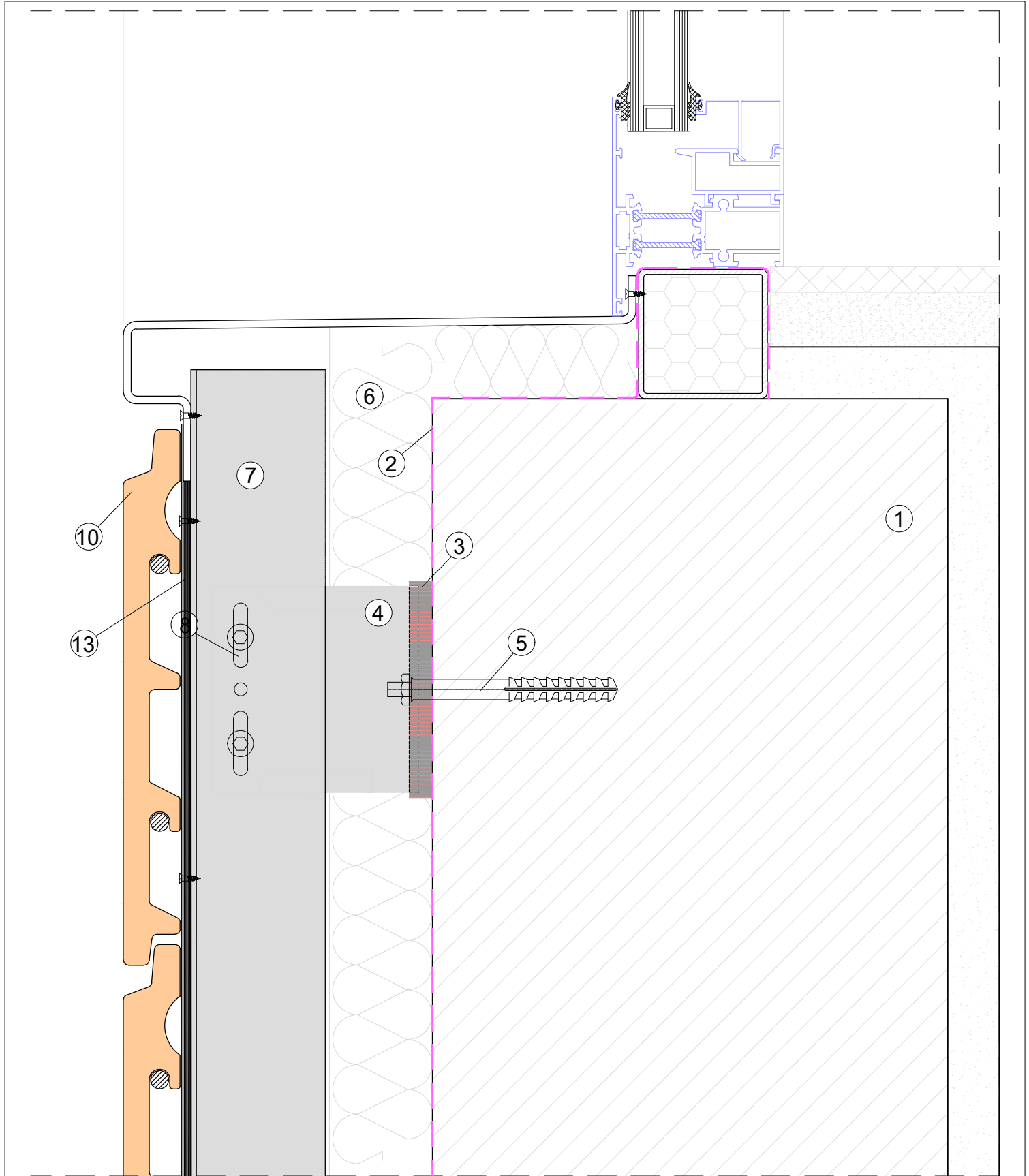
**CMS-20 11**

drawing no:

**11**

revision:

**01**



**LEGEND**

1.CONCRETE / BLOCK WORK 2.BREATHER MEMBRANE 3.THERMAL ISOLATOR 4.SUPPORT BRACKET 5.PRIMARY FIXING 6.THERMAL INSULATION 7.T / L / CORNER PROFILE  
 8.SELF DRILL SCREW 9.DOUBLE SIDED TAPE / NORTON TAPE 10.CLADDING (TERRACOTTA) 11.RIVET/SCREW 12.VENTILATION 13.HANGER / SIDE PROFILE 14.STEEL ANGLE



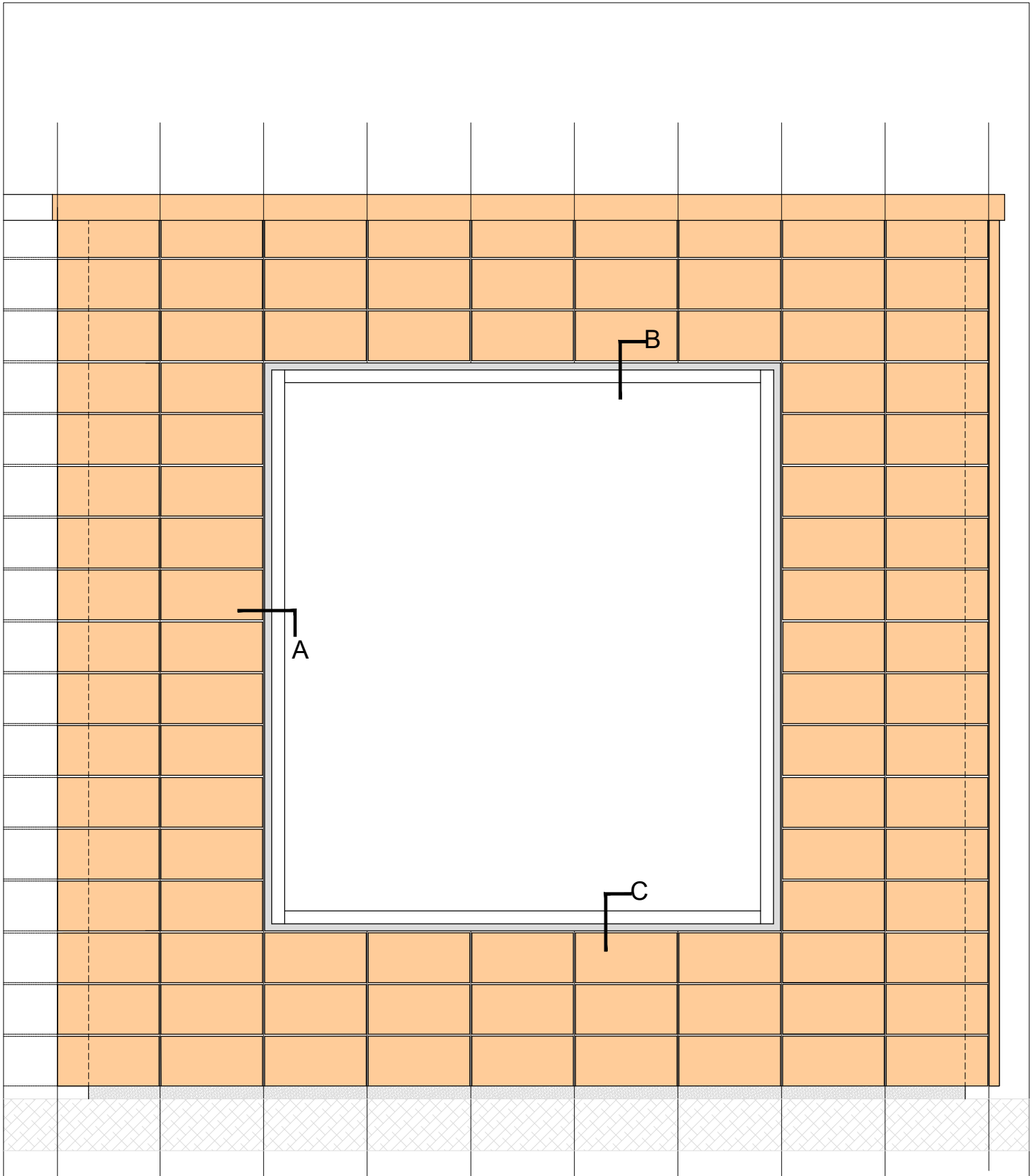
system title:  
**SINGLE SKIN TERRACOTTA  
 CLADDING SUPPORT SYSTEM**

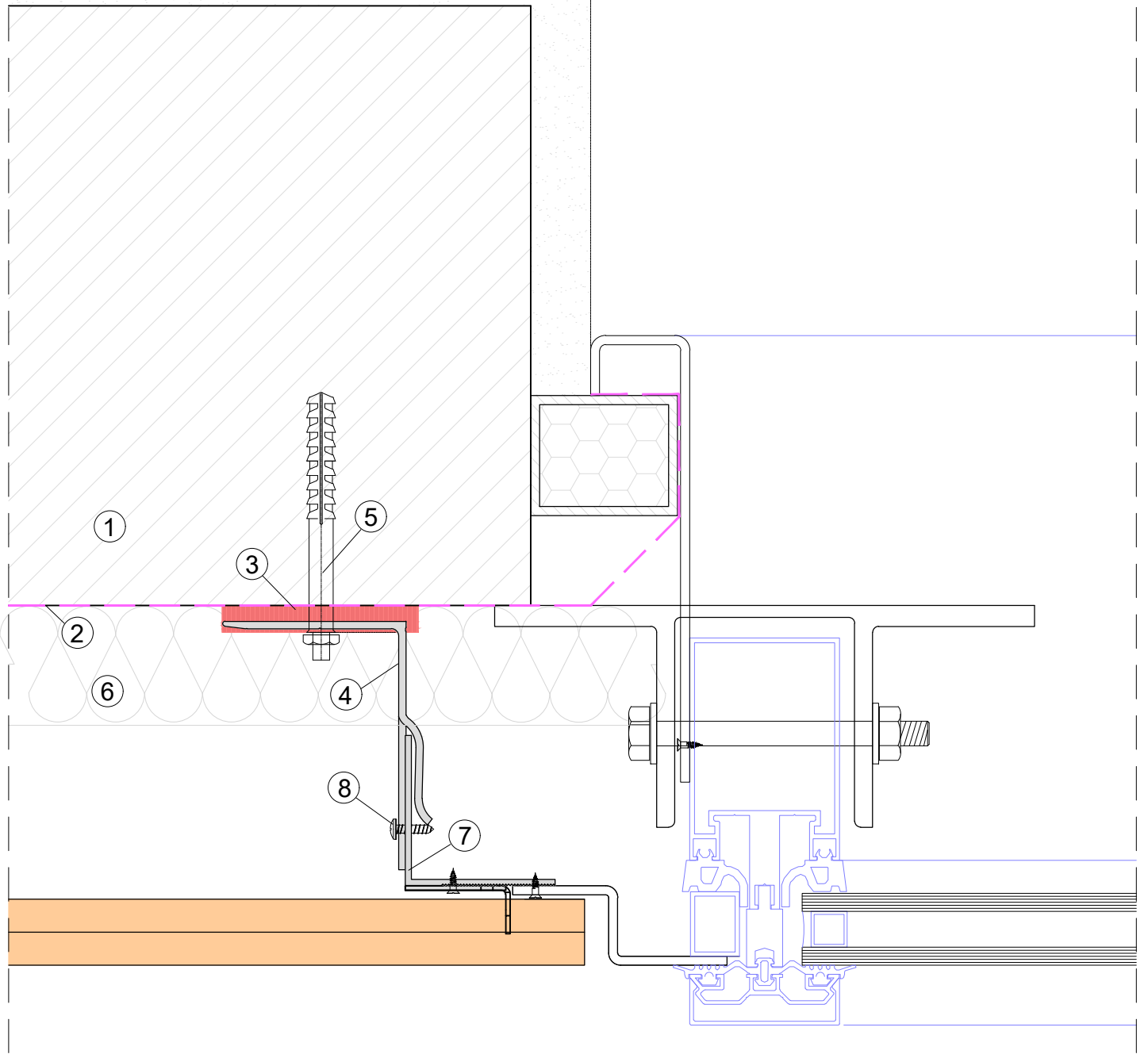
drawing title:  
**DETAIL 10**

date:  
**Apr 2019**

scale:  
**NTS**

system no: **CMS-20** drawing no: **12** revision: **01**





**LEGEND**

1.CONCRETE / BLOCK WORK 2.BREATHER MEMBRANE 3.THERMAL ISOLATOR 4.SUPPORT BRACKET 5.PRIMARY FIXING 6.THERMAL INSULATION 7.T / L / CORNER PROFILE  
 8.SELF DRILL SCREW 9.DOUBLE SIDED TAPE / NORTON TAPE 10.CLADDING (TERRACOTTA) 11.RIVET/SCREW 12.VENTILATION 13.HANGER / SIDE PROFILE 14.STEEL ANGLE



www.cladmate.co.uk | technical@cladmate.co.uk

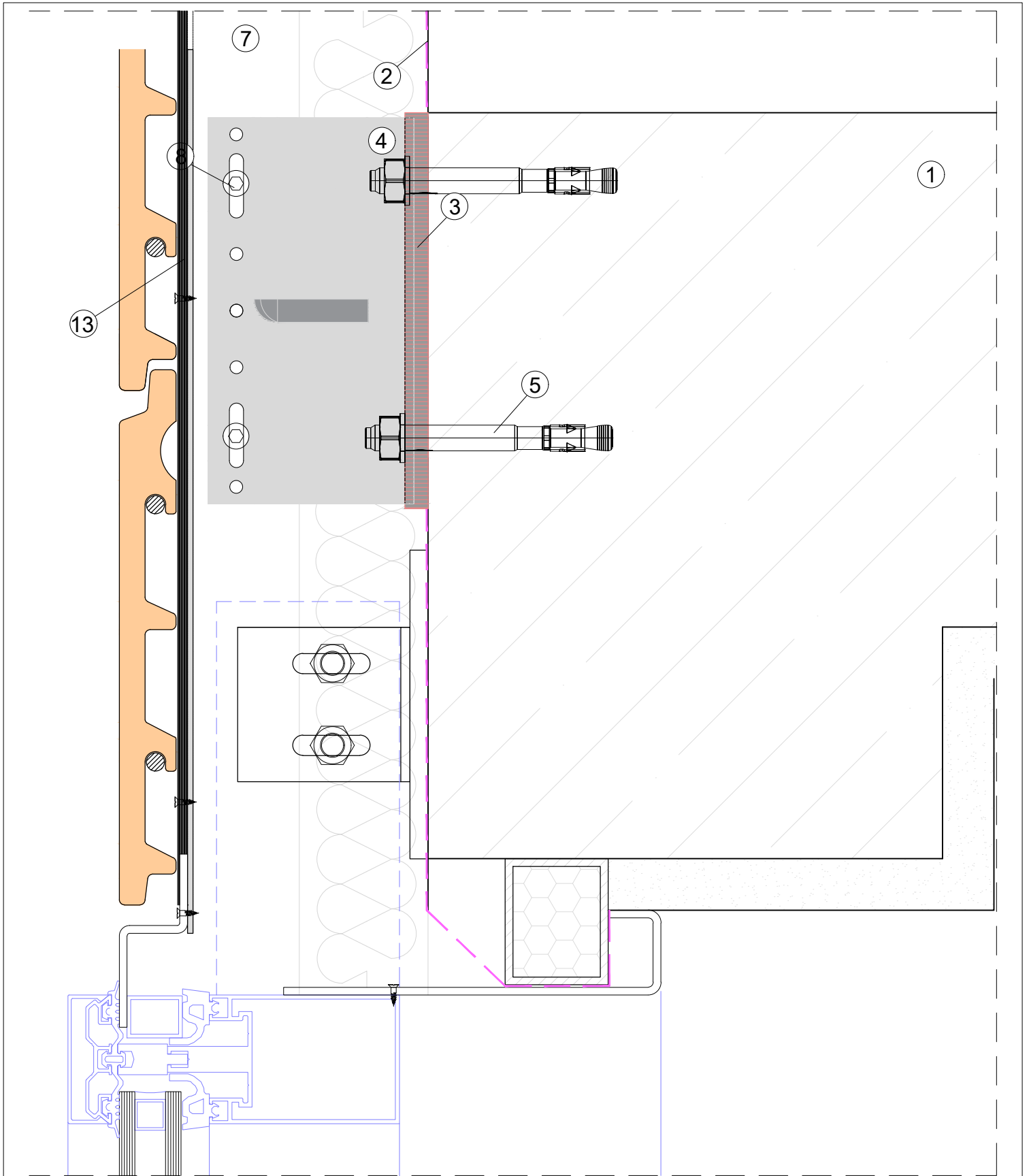
system title:  
**SINGLE SKIN TERRACOTTA  
 CLADDING SUPPORT SYSTEM**

drawing title:  
**DETAIL A**

date:  
**Apr 2019**

scale:  
**NTS**

system no: **CMS-20** drawing no: **14** revision: **01**



**LEGEND**

- 1.CONCRETE / BLOCK WORK 2.BREATHER MEMBRANE 3.THERMAL ISOLATOR 4.SUPPORT BRACKET 5.PRIMARY FIXING 6.THERMAL INSULATION 7.T / L / CORNER PROFILE  
 8.SELF DRILL SCREW 9.DOUBLE SIDED TAPE / NORTON TAPE 10.CLADDING (TERRACOTTA) 11.RIVET/SCREW 12.VENTILATION 13.HANGER / SIDE PROFILE 14.STEEL ANGLE



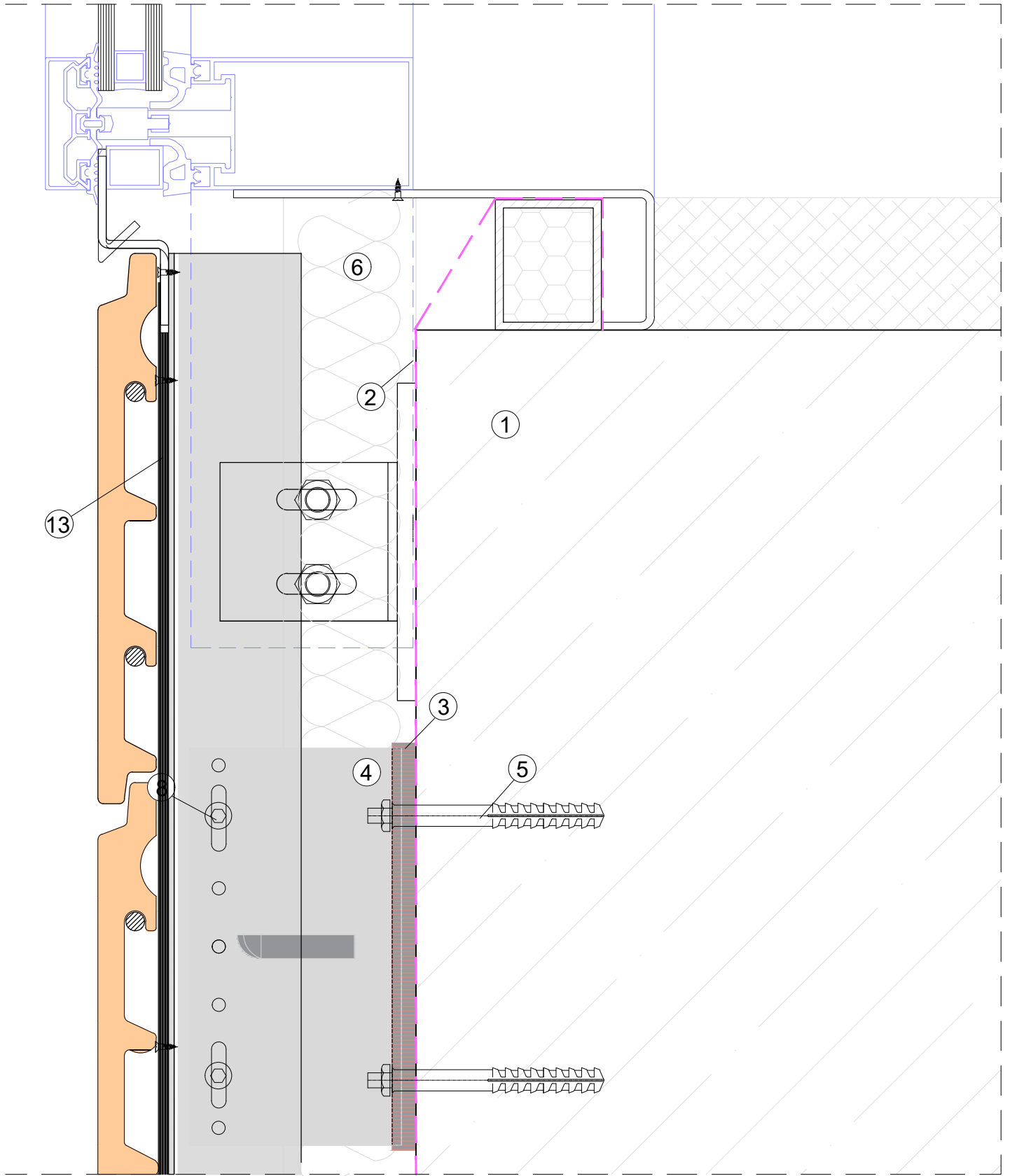
www.cladmate.co.uk | technical@cladmate.co.uk

system title:  
**SINGLE SKIN TERRACOTTA  
 CLADDING SUPPORT SYSTEM**

drawing title:  
**DETAIL B**

date:  
**Apr 2019** scale:  
**NTS**

system no: drawing no: revision:  
**CMS-20 15 01**



**LEGEND**

- 1.CONCRETE / BLOCK WORK 2.BREATHER MEMBRANE 3.THERMAL ISOLATOR 4.SUPPORT BRACKET 5.PRIMARY FIXING 6.THERMAL INSULATION 7.T / L / CORNER PROFILE  
 8.SELF DRILL SCREW 9.DOUBLE SIDED TAPE / NORTON TAPE 10.CLADDING (TERRACOTTA) 11.RIVET/SCREW 12.VENTILATION 13.HANGER / SIDE PROFILE 14.STEEL ANGLE



www.cladmater.co.uk | technical@cladmater.co.uk

system title:  
**SINGLE SKIN TERRACOTTA  
 CLADDING SUPPORT SYSTEM**

drawing title:  
**DETAIL C**

date: **Apr 2019** scale: **NTS**

system no: **CMS-20** drawing no: **16** revision: **01**