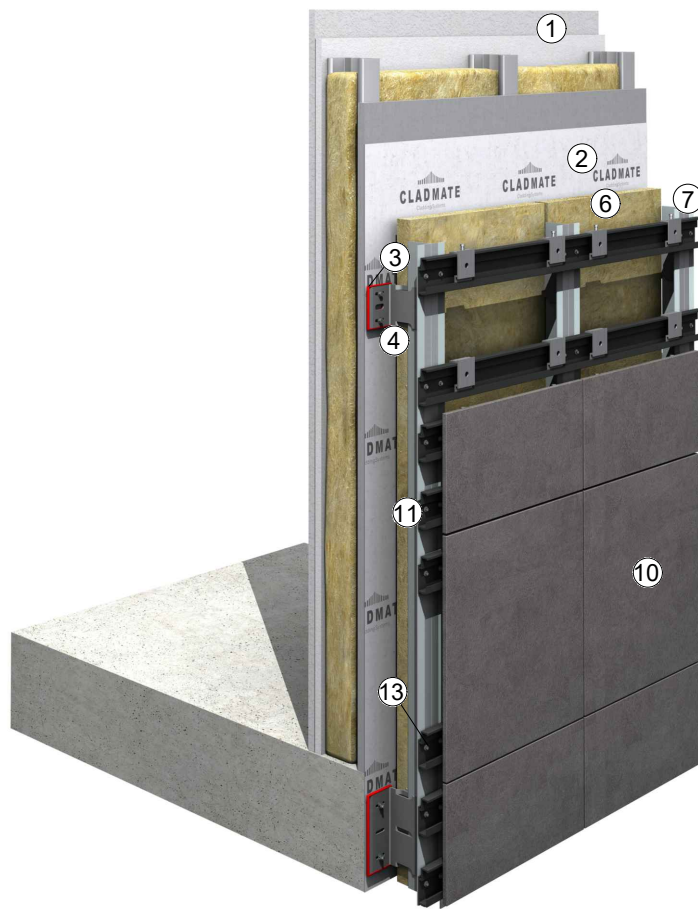


# **CLADMATE**

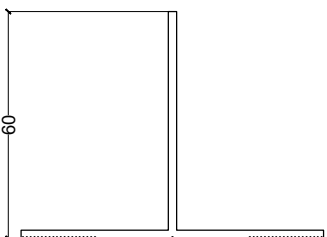
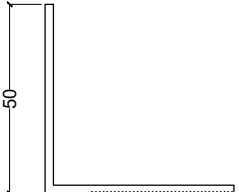
CladdingSystems

## **CMS07**

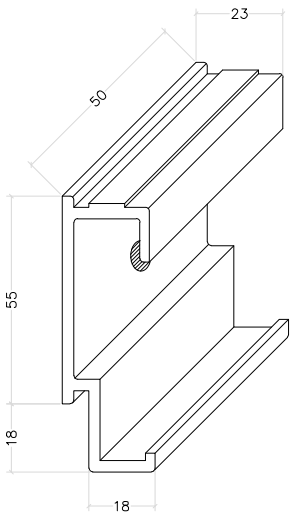
CONCEALED FIX - STRUCTURAL BONDING  
CLADDING SUPPORT SYSTEM



1. CONCRETE / BLOCK WORK
2. BREATHER MEMBRANE
3. THERMAL ISOLATOR
4. SUPPORT BRACKET
5. PRIMARY FIXING
6. THERMAL INSULATION
7. T / L / CORNER PROFILE
8. SELF DRILL SCREW
9. DOUBLE SIDED TAPE / NORTON TAPE
10. CLADDING (CERAMIC OR FIBER CEMENT PANEL)
11. RIVET/SCREW
12. RAIL PROFILE
13. TOP/BOTTOM CLIP
14. UNDERCUT ANCHOR

code	name	profile features	code	name	profile features
	<b>T Profile</b>			<b>L Profile</b>	
					
TP60 Series TP60-80-2.2-3000/6000 TP60-100-2.2-3000/6000 TP60-120-2.2-3000/6000 TP60-140-2.2-3000/6000		colour/finish : RAL & Anodised TBC	LP50 & LP60 Series LP50-50-2.2-3000/6000 LP60-40-2.2-3000/6000 LP60-40-2.5-3000/6000		colour/finish : RAL & Anodised TBC

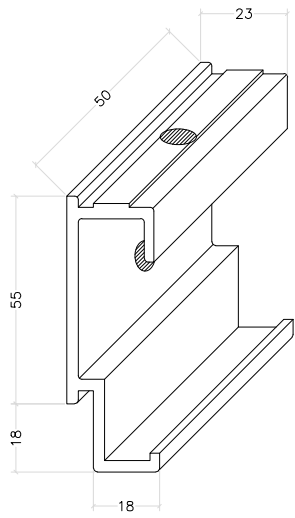
**Horizontal Rail Bottom Clip**



HRC-07-BC-50

colour/finish :  
RAL & Anodised TBC

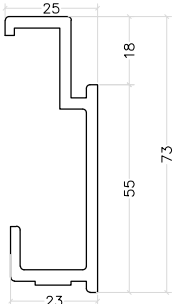
**Horizontal Rail Top Clip**



HRC-07-TC-50

colour/finish :  
RAL & Anodised TBC

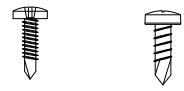
**Horizontal Support Rail**



HRP-07-73-3000/6000

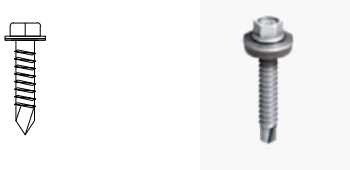
**Self Drive Screw**

3,9x19 YSB (M.U.V)      4,8x16 YSB (M.U.V)



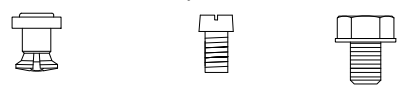
.....  
.....

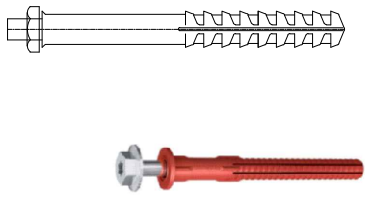
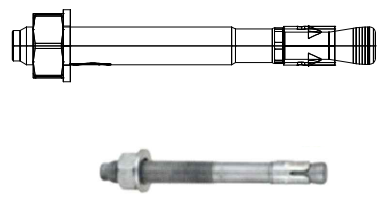



**Steel Frame Primary Fixing  
(Bi-met Fastener Washer)**

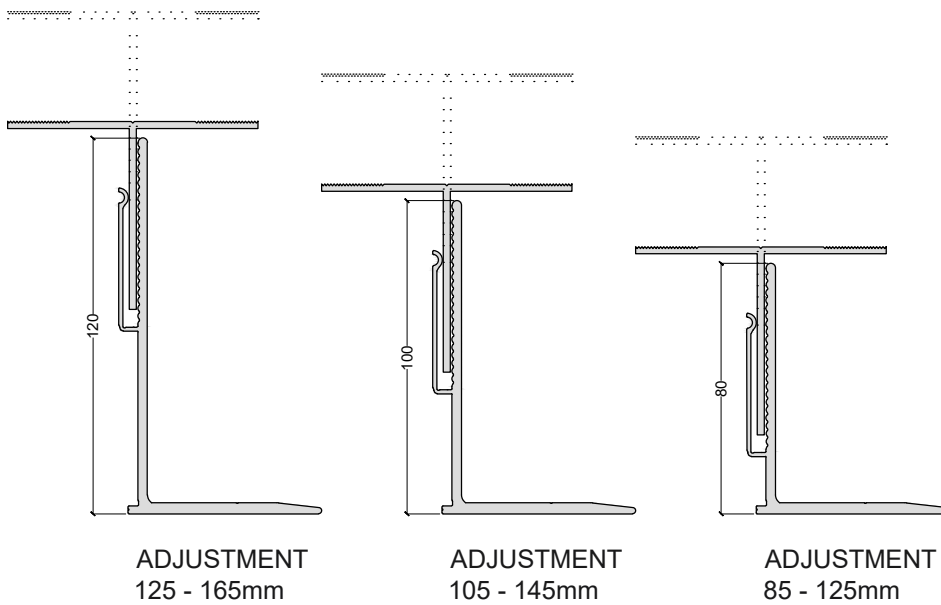
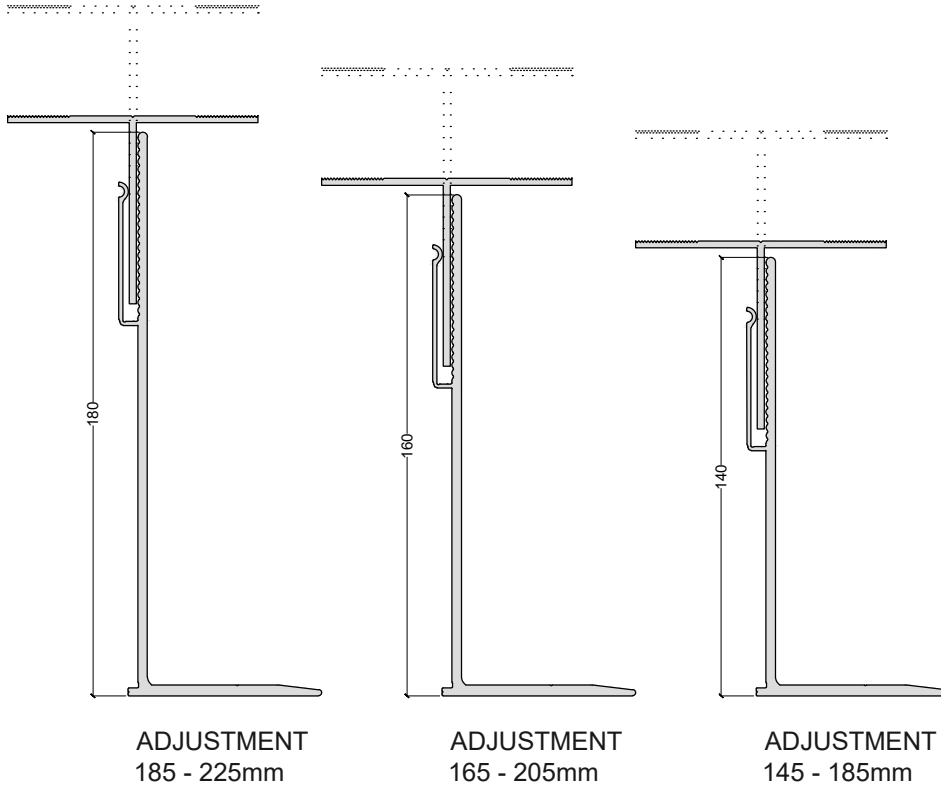


JT3-3-6.3-38-S16  
JT3-3-6.3-50-S16

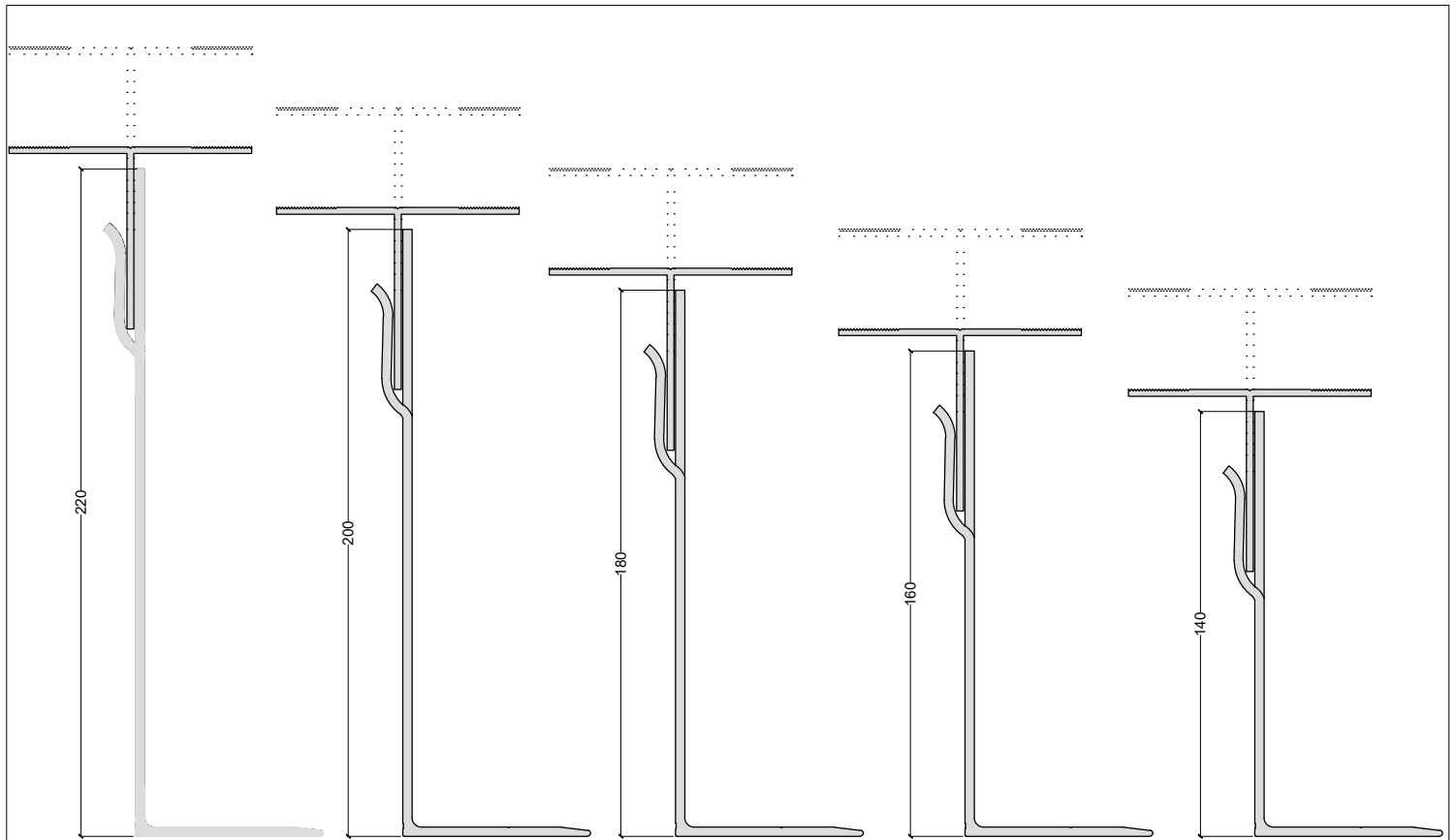
**Undercut Anchor      Adjustment Screw      M8x10 Bolt**



code	profile	profile features	code	profile	profile features
	<b>Masonry Primary Fixing</b>			<b>Masonry Primary Anchor Bolt Fixing</b>	
					
SDF-KB-10H-80E SDF-KB-10H-100E		colour/finish : Stainless Steel	BA-E-10/10 BA-V-10/10 STI-33M		colour/finish : Stainless Steel
	<b>Stainless Steel Rivet</b>			<b>Double Sided Adhesive Tape</b>	
					
TP01	4x10 Rivet	4,8x25 Rivet			colour/finish : RAL TBC
	<b>Polyurethane adhesive (600cc)</b>				
					



BRACKET	ADJUSTMENT RANGE (mm)
SMART BRACKET 180	185 - 225
SMART BRACKET 160	165 - 205
SMART BRACKET 140	145 - 185
SMART BRACKET 120	125 - 165
SMART BRACKET 100	105 - 145
SMART BRACKET 80	85 - 125



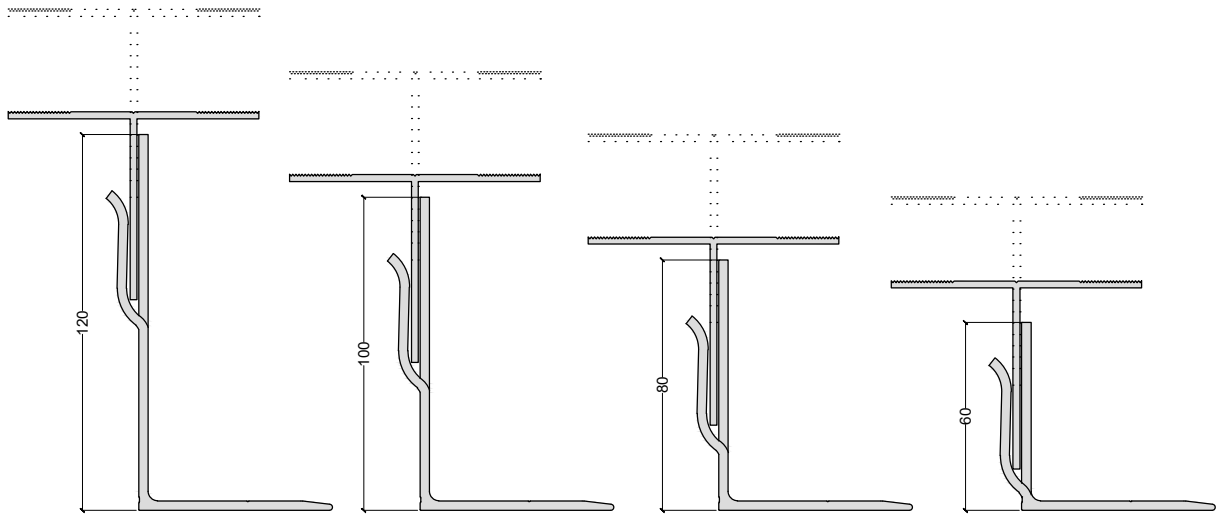
ADJUSTMENT  
225 - 265mm

ADJUSTMENT  
205 - 245mm

ADJUSTMENT  
185 - 225mm

ADJUSTMENT  
165 - 205mm

ADJUSTMENT  
145 - 175mm



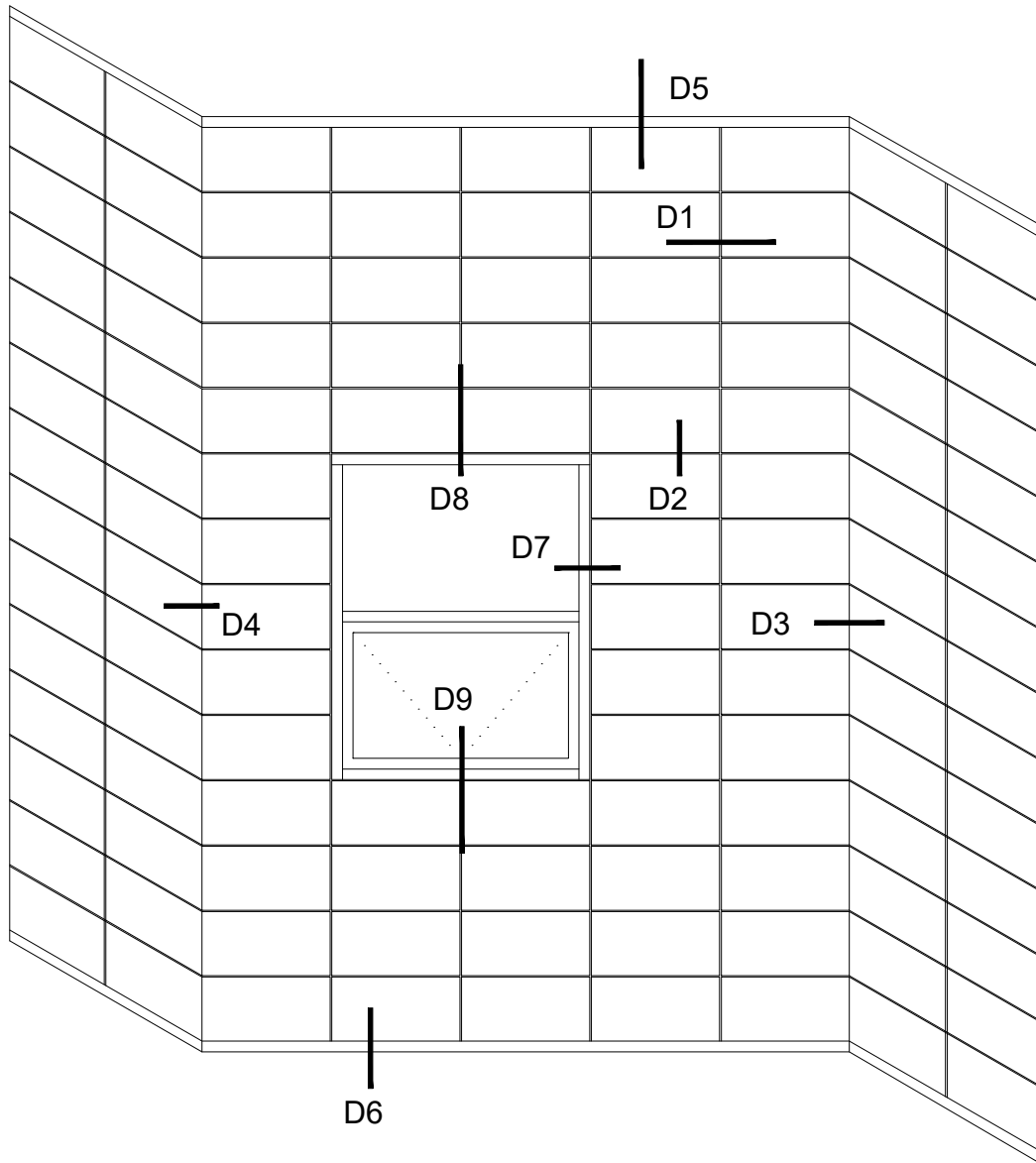
ADJUSTMENT  
125 - 165mm

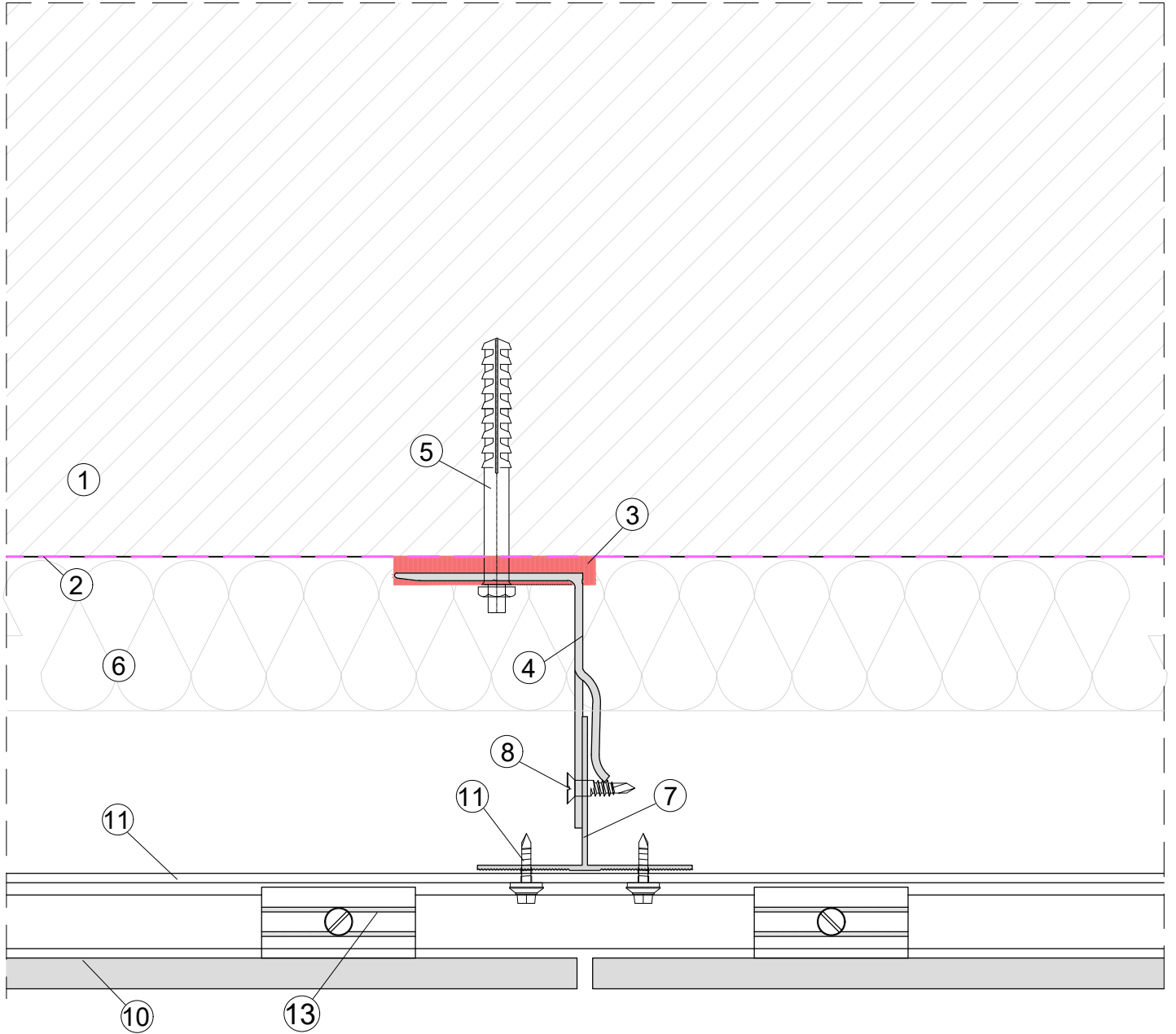
ADJUSTMENT  
105 - 145mm

ADJUSTMENT  
85 - 125mm

ADJUSTMENT  
65 - 105mm

BRACKET	ADJUSTMENT RANGE (mm)
FORTIS BRACKET 220	225 - 265
FORTIS BRACKET 200	205 - 245
FORTIS BRACKET 180	185 - 225
FORTIS BRACKET 160	165 - 205
FORTIS BRACKET 140	145 - 185
FORTIS BRACKET 120	125 - 165
FORTIS BRACKET 100	105 - 145
FORTIS BRACKET 80	85 - 125
FORTIS BRACKET 60	65 - 105





**LEGEND**

1. CONCRETE / BLOCK WORK 2. BREATHER MEMBRANE 3. THERMAL ISOLATOR 4. SUPPORT BRACKET 5. PRIMARY FIXING 6. THERMAL INSULATION 7. T / L / CORNER PROFILE  
 8. SELF DRILL SCREW 9. DOUBLE SIDED TAPE / NORTON TAPE 10. CLADDING (FIBER CEMENT PANEL) 11. RIVET/SCREW 12. RAIL PROFILE 13. TOP / BOTTOM CLIP  
 14. UNDERCUT ANCHOR



www.cladmate.co.uk | technical@cladmate.co.uk

system title:  
**CONCEALED FIX STRUCTURAL  
 BONDING SUPPORT SYSTEM**

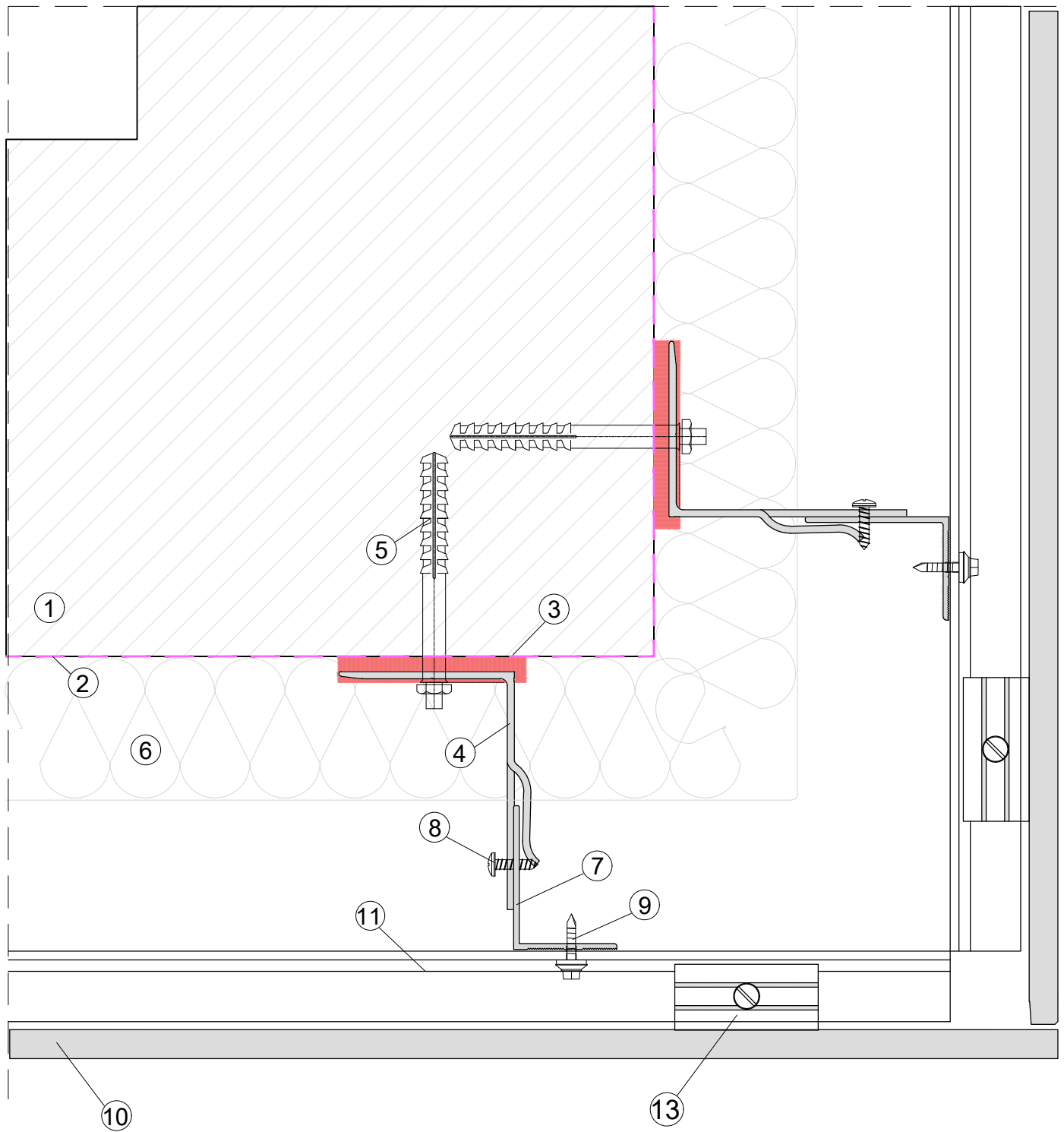
drawing title:  
**DETAIL 1**

date:  
**Apr 2019**

scale:  
**NTS**

system no: CMS-07 drawing no: 02 revision: 01





**LEGEND**

1. CONCRETE / BLOCK WORK 2. BREATHER MEMBRANE 3. THERMAL ISOLATOR 4. SUPPORT BRACKET 5. PRIMARY FIXING 6. THERMAL INSULATION 7. T / L / CORNER PROFILE  
 8. SELF DRILL SCREW 9. DOUBLE SIDED TAPE / NORTON TAPE 10. CLADDING (FIBER CEMENT PANEL) 11. RIVET/SCREW 12. RAIL PROFILE 13. TOP / BOTTOM CLIP  
 14. UNDERCUT ANCHOR



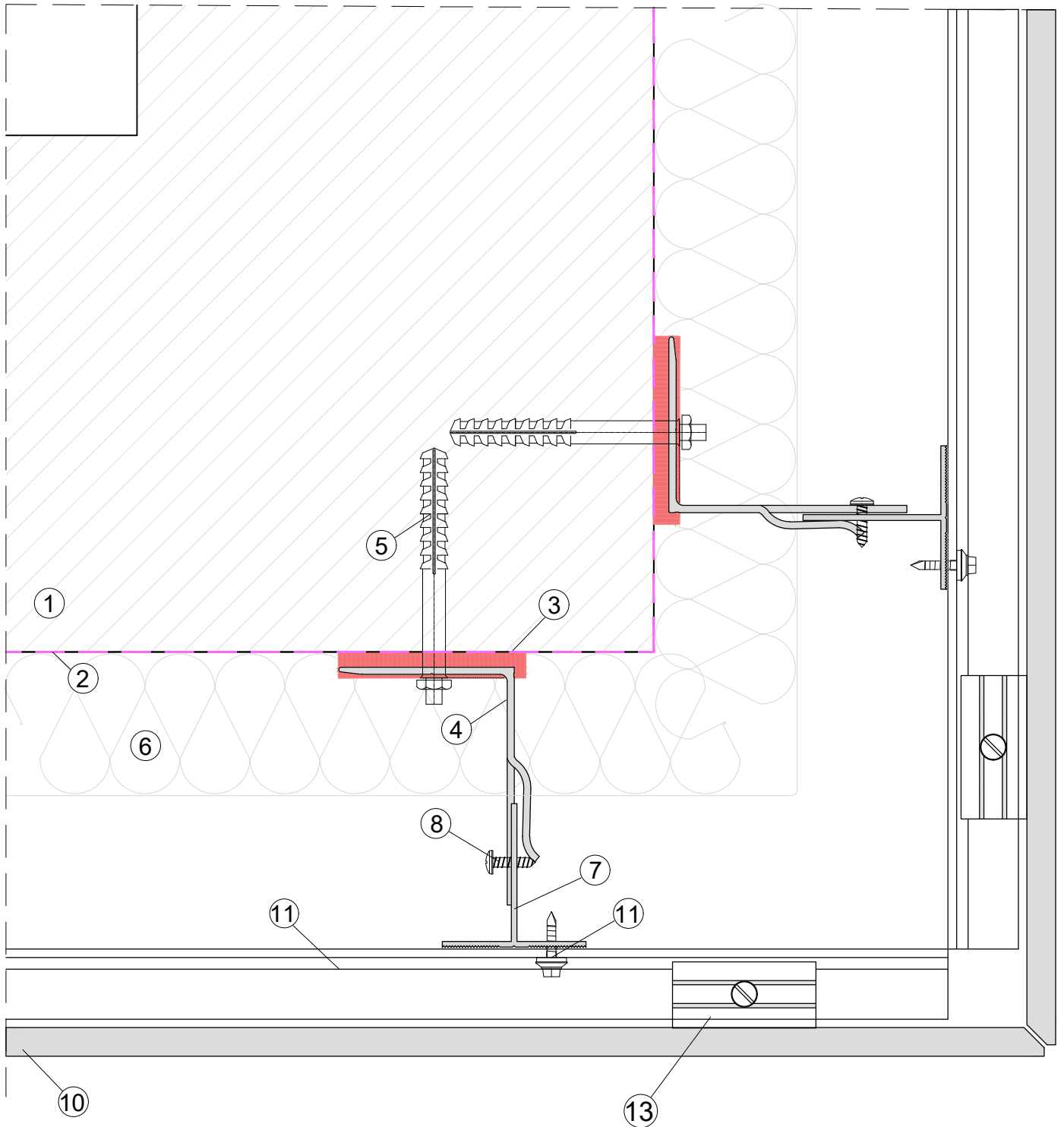
system title:  
**CONCEALED FIX STRUCTURAL  
 BONDING SUPPORT SYSTEM**

drawing title:  
**DETAIL 2A**

date:  
**Apr 2019**

scale:  
**NTS**

system no: CMS-07 drawing no: 03 revision: 01



**LEGEND**

1. CONCRETE / BLOCK WORK 2. BREATHER MEMBRANE 3. THERMAL ISOLATOR 4. SUPPORT BRACKET 5. PRIMARY FIXING 6. THERMAL INSULATION 7. T / L / CORNER PROFILE  
 8. SELF DRILL SCREW 9. DOUBLE SIDED TAPE / NORTON TAPE 10. CLADDING (FIBER CEMENT PANEL) 11. RIVET/SCREW 12. RAIL PROFILE 13. TOP / BOTTOM CLIP  
 14. UNDERCUT ANCHOR



www.cladmate.co.uk | technical@cladmate.co.uk

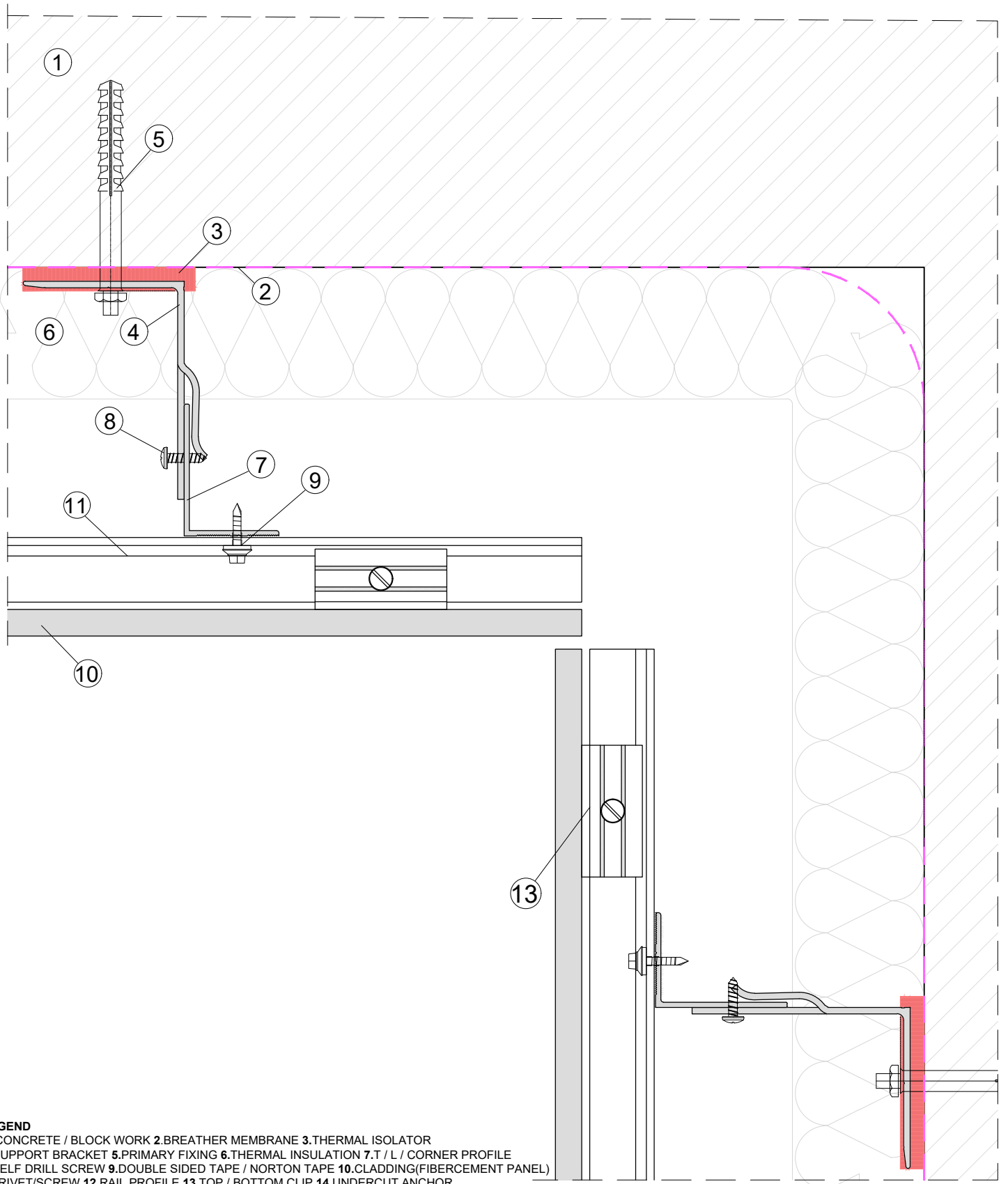
system title:  
**CONCEALED FIX STRUCTURAL  
 BONDING SUPPORT SYSTEM**

drawing title:  
**DETAIL 2B**

date:  
**Apr 2019**

scale:  
**NTS**

system no: CMS-07 drawing no: 04 revision: 01



**LEGEND**

- 1. CONCRETE / BLOCK WORK 2. BREATHER MEMBRANE 3. THERMAL ISOLATOR
- 4. SUPPORT BRACKET 5. PRIMARY FIXING 6. THERMAL INSULATION 7. T / L / CORNER PROFILE
- 8. SELF DRILL SCREW 9. DOUBLE SIDED TAPE / NORTON TAPE 10. CLADDING (FIBERCEMENT PANEL)
- 11. RIVET/SCREW 12. RAIL PROFILE 13. TOP / BOTTOM CLIP 14. UNDERCUT ANCHOR



www.cladmate.co.uk | technical@cladmate.co.uk

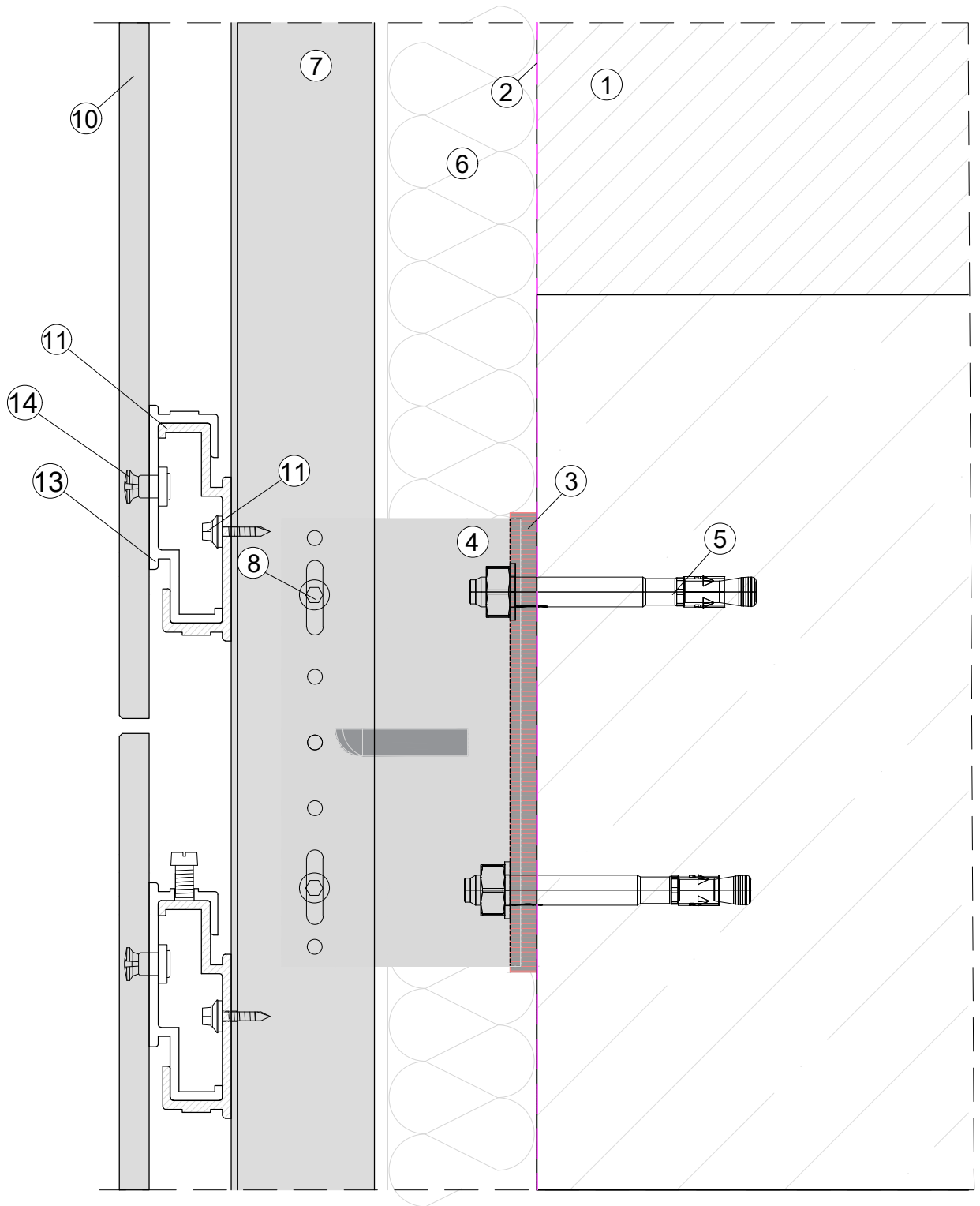
system title:  
**CONCEALED FIX STRUCTURAL  
BONDING SUPPORT SYSTEM**

drawing title:  
**DETAIL 3**

date:  
**Apr 2019**

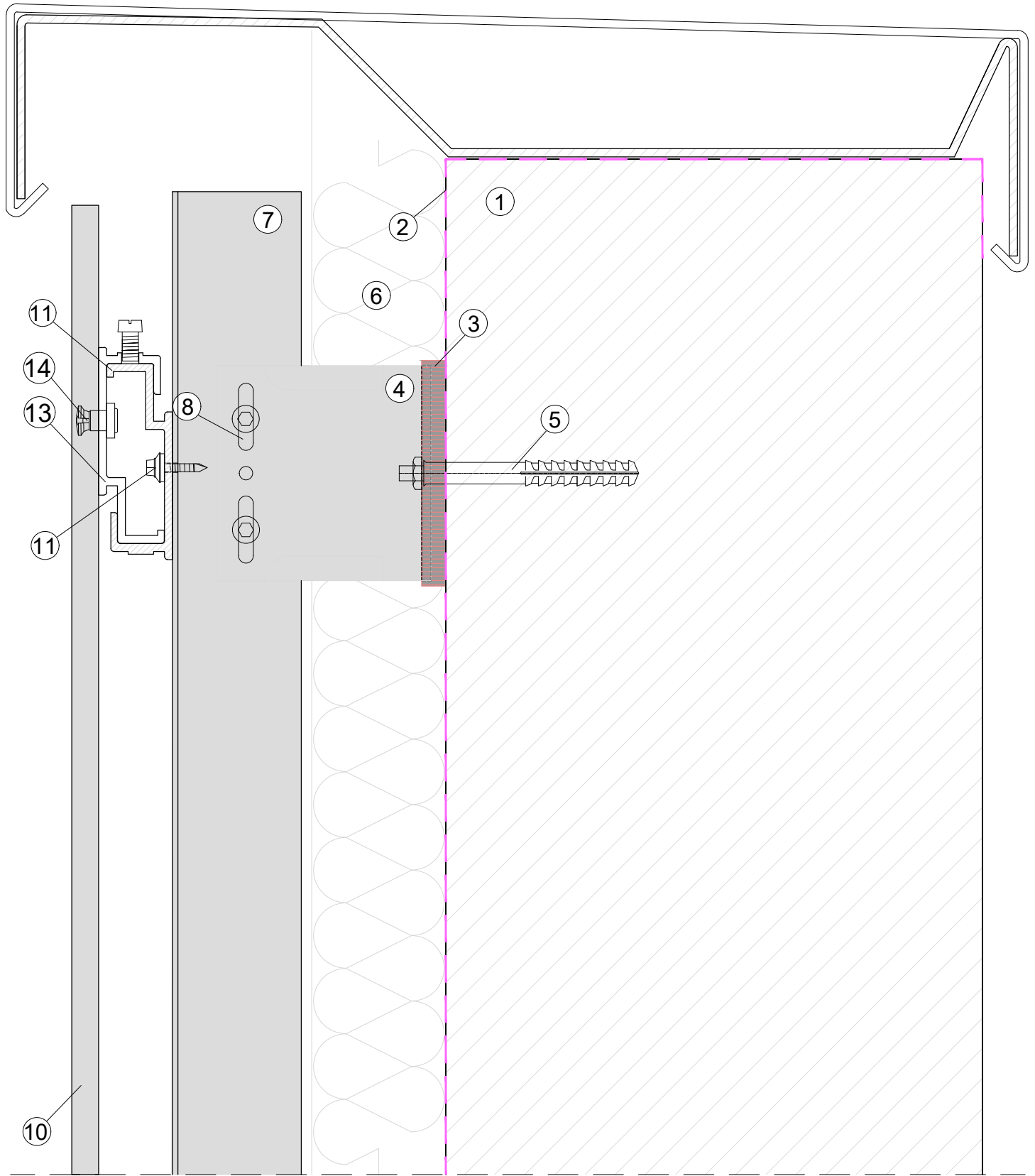
scale:  
**NTS**

system no: CMS-07    drawing no: 05    revision: 01



**LEGEND**

1. CONCRETE / BLOCK WORK 2. BREATHER MEMBRANE 3. THERMAL ISOLATOR 4. SUPPORT BRACKET 5. PRIMARY FIXING 6. THERMAL INSULATION 7. T / L / CORNER PROFILE  
 8. SELF DRILL SCREW 9. DOUBLE SIDED TAPE / NORTON TAPE 10. CLADDING (FIBER CEMENT PANEL) 11. RIVET/SCREW 12. RAIL PROFILE 13. TOP / BOTTOM CLIP  
 14. UNDERCUT ANCHOR



**LEGEND**

1. CONCRETE / BLOCK WORK 2. BREATHER MEMBRANE 3. THERMAL ISOLATOR 4. SUPPORT BRACKET 5. PRIMARY FIXING 6. THERMAL INSULATION 7. T / L / CORNER PROFILE  
 8. SELF DRILL SCREW 9. DOUBLE SIDED TAPE / NORTON TAPE 10. CLADDING (FIBER CEMENT PANEL) 11. RIVET/SCREW 12. RAIL PROFILE 13. TOP / BOTTOM CLIP  
 14. UNDERCUT ANCHOR



www.cladmater.co.uk | technical@cladmater.co.uk

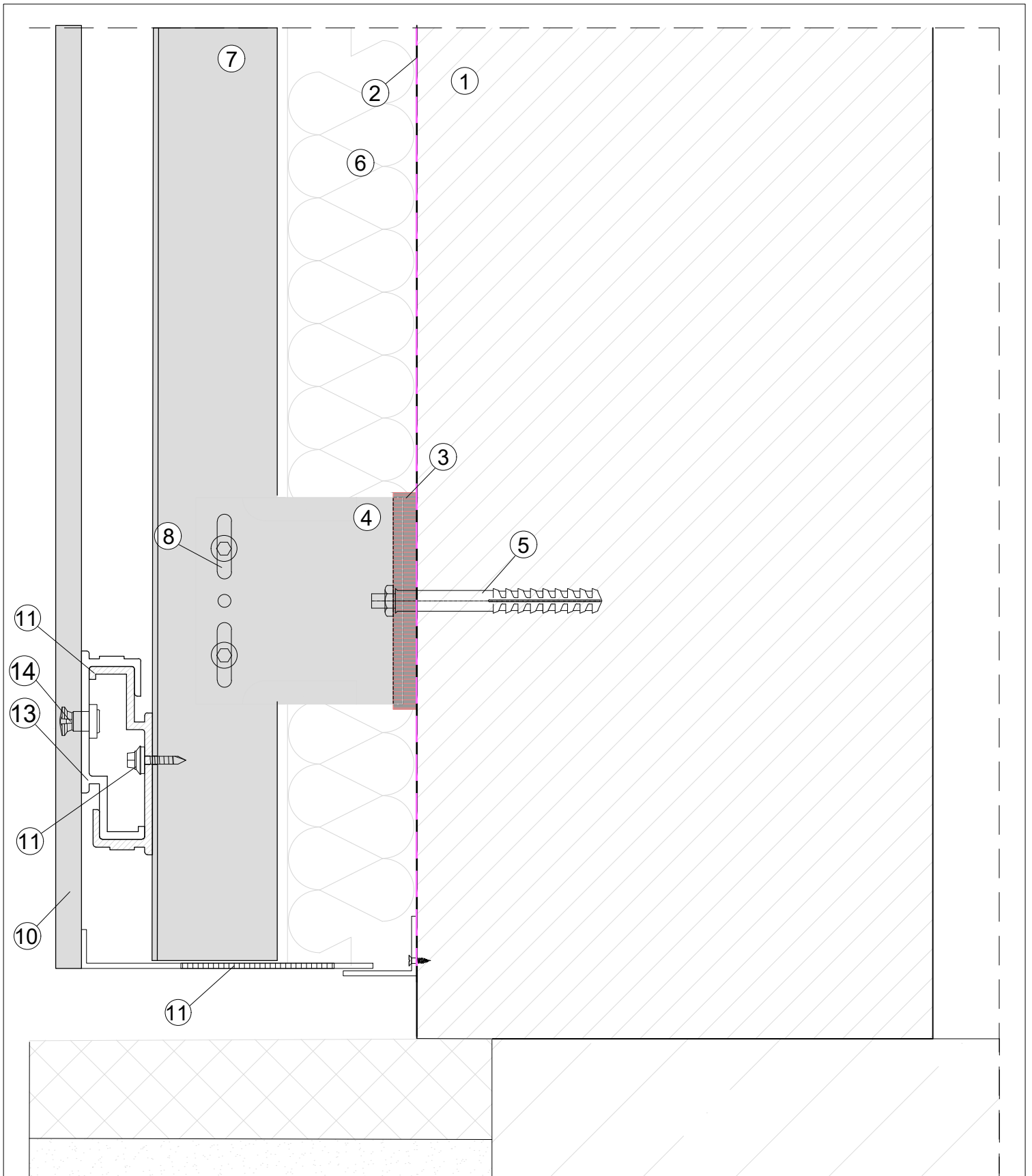
system title:  
**CONCEALED FIX STRUCTURAL  
 BONDING SUPPORT SYSTEM**

drawing title:  
**DETAIL 5**

date:  
**Apr 2019**

scale:  
**NTS**

system no: drawing no: revision:  
**CMS-07 07 01**



**LEGEND**

1. CONCRETE / BLOCK WORK 2. BREATHER MEMBRANE 3. THERMAL ISOLATOR 4. SUPPORT BRACKET 5. PRIMARY FIXING 6. THERMAL INSULATION 7. T / L / CORNER PROFILE  
 8. SELF DRILL SCREW 9. DOUBLE SIDED TAPE / NORTON TAPE 10. CLADDING (FIBER CEMENT PANEL) 11. RIVET/SCREW 12. RAIL PROFILE 13. TOP / BOTTOM CLIP  
 14. UNDERCUT ANCHOR



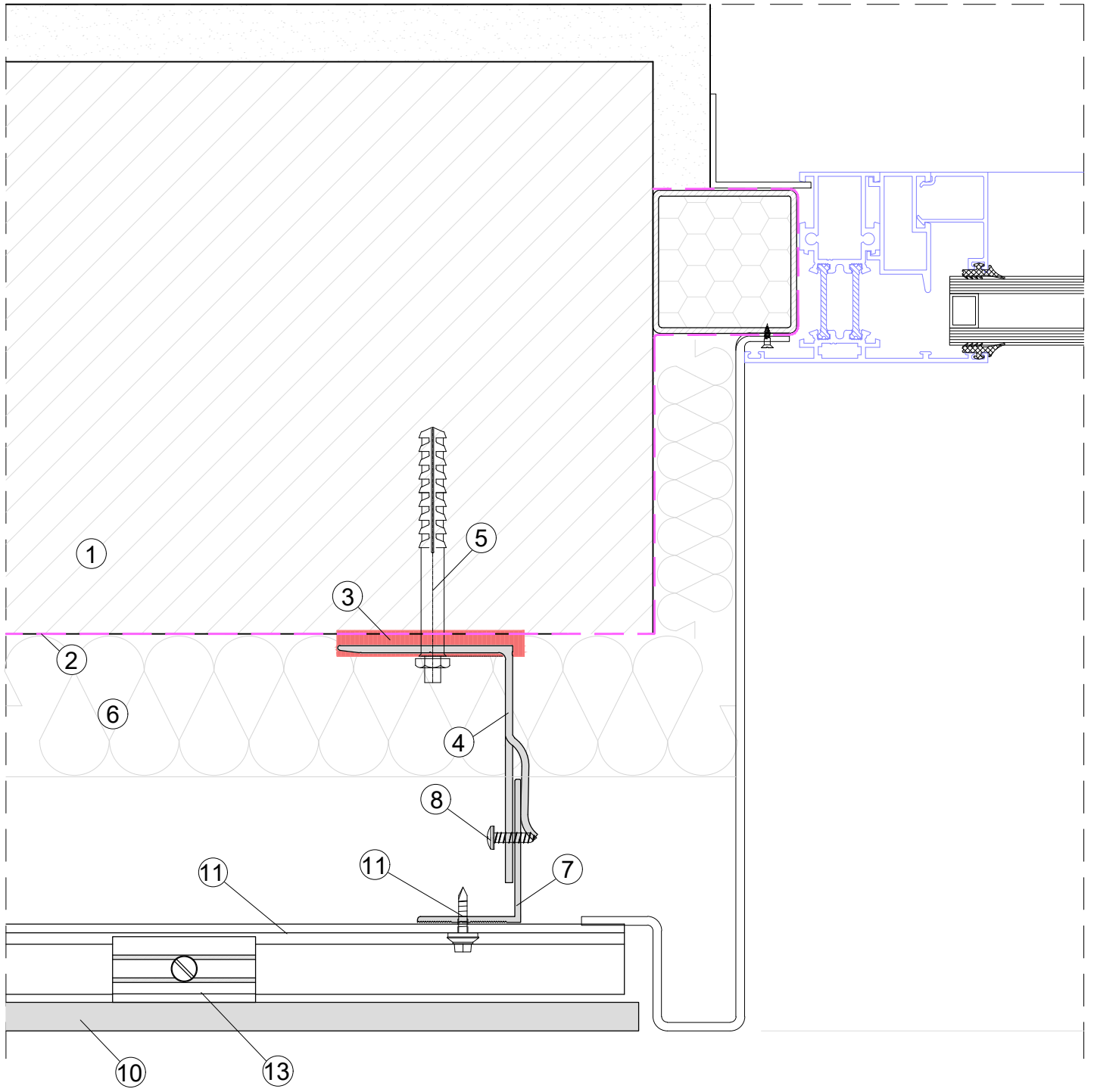
system title:  
**CONCEALED FIX STRUCTURAL  
 BONDING SUPPORT SYSTEM**

drawing title:  
**DETAIL 6**

date:  
**Apr 2019**

scale:  
**NTS**

system no: **CMS-07** drawing no: **08** revision: **01**



**LEGEND**

- 1. CONCRETE / BLOCK WORK 2.BREATHER MEMBRANE 3.THERMAL ISOLATOR 4.SUPPORT BRACKET 5.PRIMARY FIXING 6.THERMAL INSULATION 7.T / L / CORNER PROFILE
- 8.SELF DRILL SCREW 9.DOUBLE SIDED TAPE / NORTON TAPE 10.CLADDING (FIBER CEMENT PANEL) 11.RIVET/SCREW 12.RAIL PROFILE 13.TOP / BOTTOM CLIP
- 14.UNDERCUT ANCHOR



www.cladmater.co.uk | technical@cladmater.co.uk

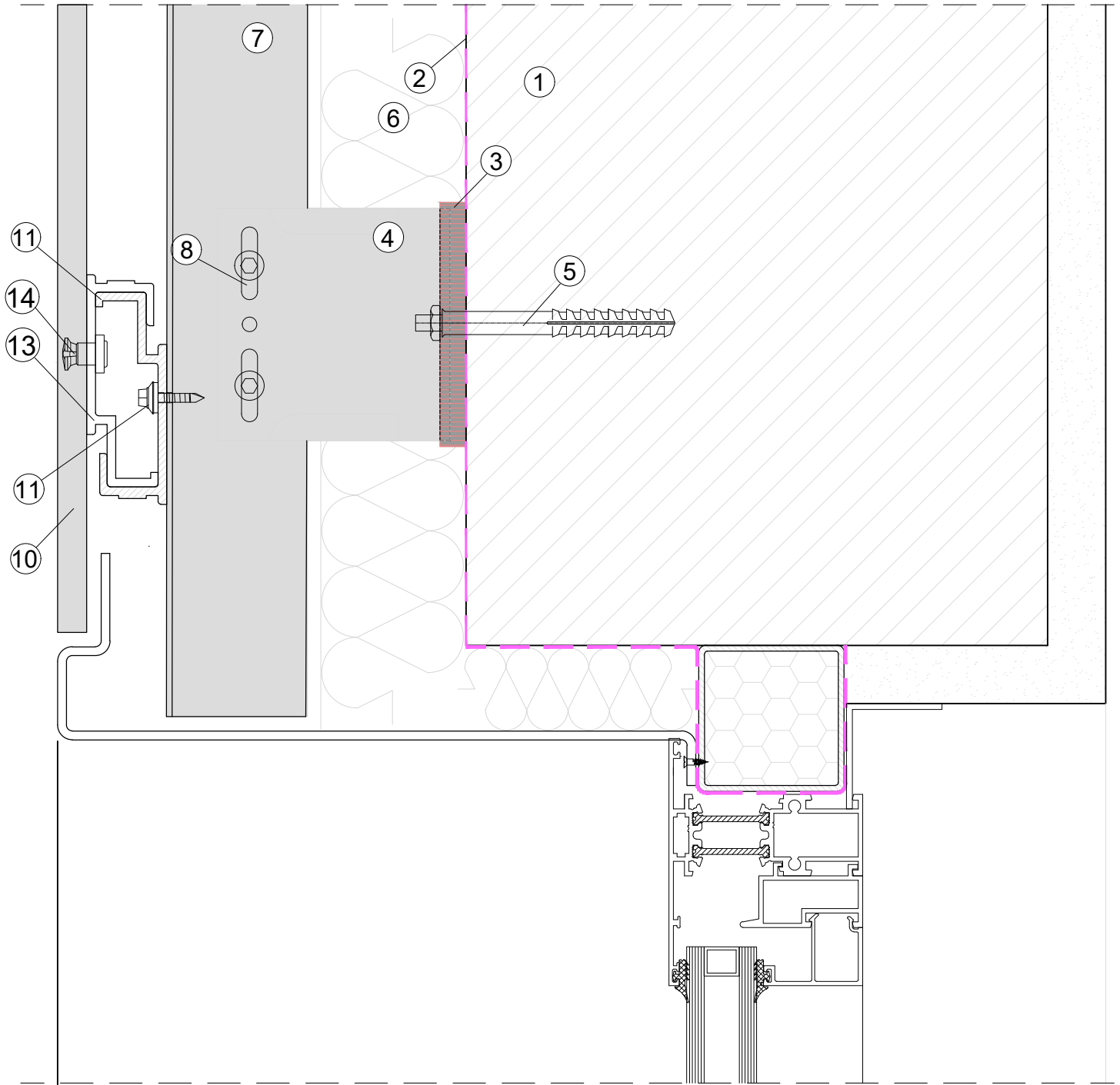
system title:  
**CONCEALED FIX STRUCTURAL  
 BONDING SUPPORT SYSTEM**

drawing title:  
**DETAIL 7**

date:  
**Apr 2019**

scale:  
**NTS**

system no: drawing no: revision:  
**CMS-07 09 01**



**LEGEND**

1. CONCRETE / BLOCK WORK 2. BREATHER MEMBRANE 3. THERMAL ISOLATOR 4. SUPPORT BRACKET 5. PRIMARY FIXING 6. THERMAL INSULATION 7. T / L / CORNER PROFILE  
 8. SELF DRILL SCREW 9. DOUBLE SIDED TAPE / NORTON TAPE 10. CLADDING (FIBER CEMENT PANEL) 11. RIVET/SCREW 12. RAIL PROFILE 13. TOP / BOTTOM CLIP  
 14. UNDERCUT ANCHOR



www.cladmate.co.uk | technical@cladmate.co.uk

system title:  
**CONCEALED FIX STRUCTURAL  
 BONDING SUPPORT SYSTEM**

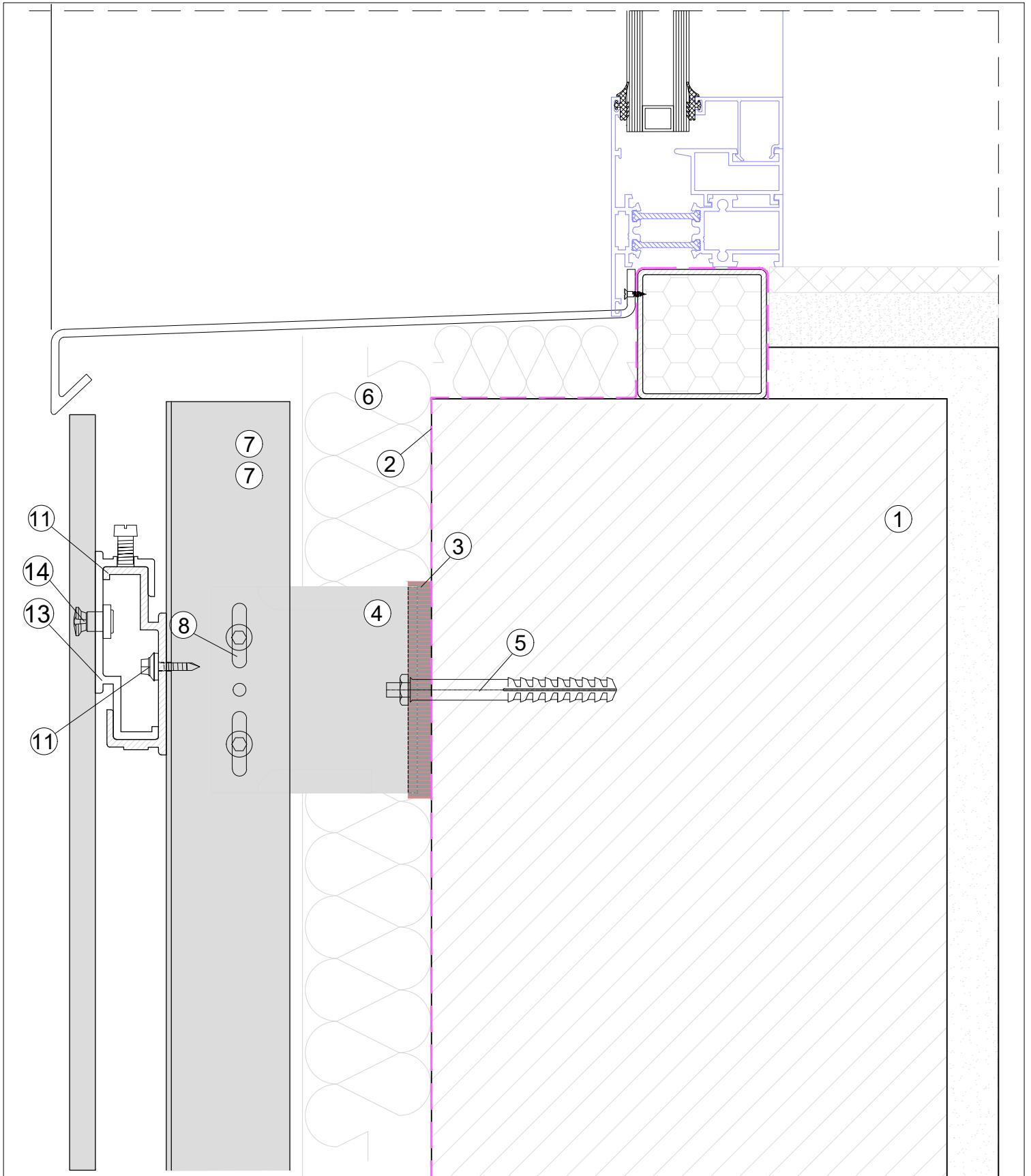
drawing title:  
**DETAIL 8**

date:  
**Apr 2019**

scale:  
**NTS**

system no: drawing no: revision:  
**CMS-07 10 01**





**LEGEND**

1. CONCRETE / BLOCK WORK 2. BREATHER MEMBRANE 3. THERMAL ISOLATOR 4. SUPPORT BRACKET 5. PRIMARY FIXING 6. THERMAL INSULATION 7. T / L / CORNER PROFILE  
 8. SELF DRILL SCREW 9. DOUBLE SIDED TAPE / NORTON TAPE 10. CLADDING (FIBER CEMENT PANEL) 11. RIVET/SCREW 12. RAIL PROFILE 13. TOP / BOTTOM CLIP  
 14. UNDERCUT ANCHOR



www.cladmater.co.uk | technical@cladmater.co.uk

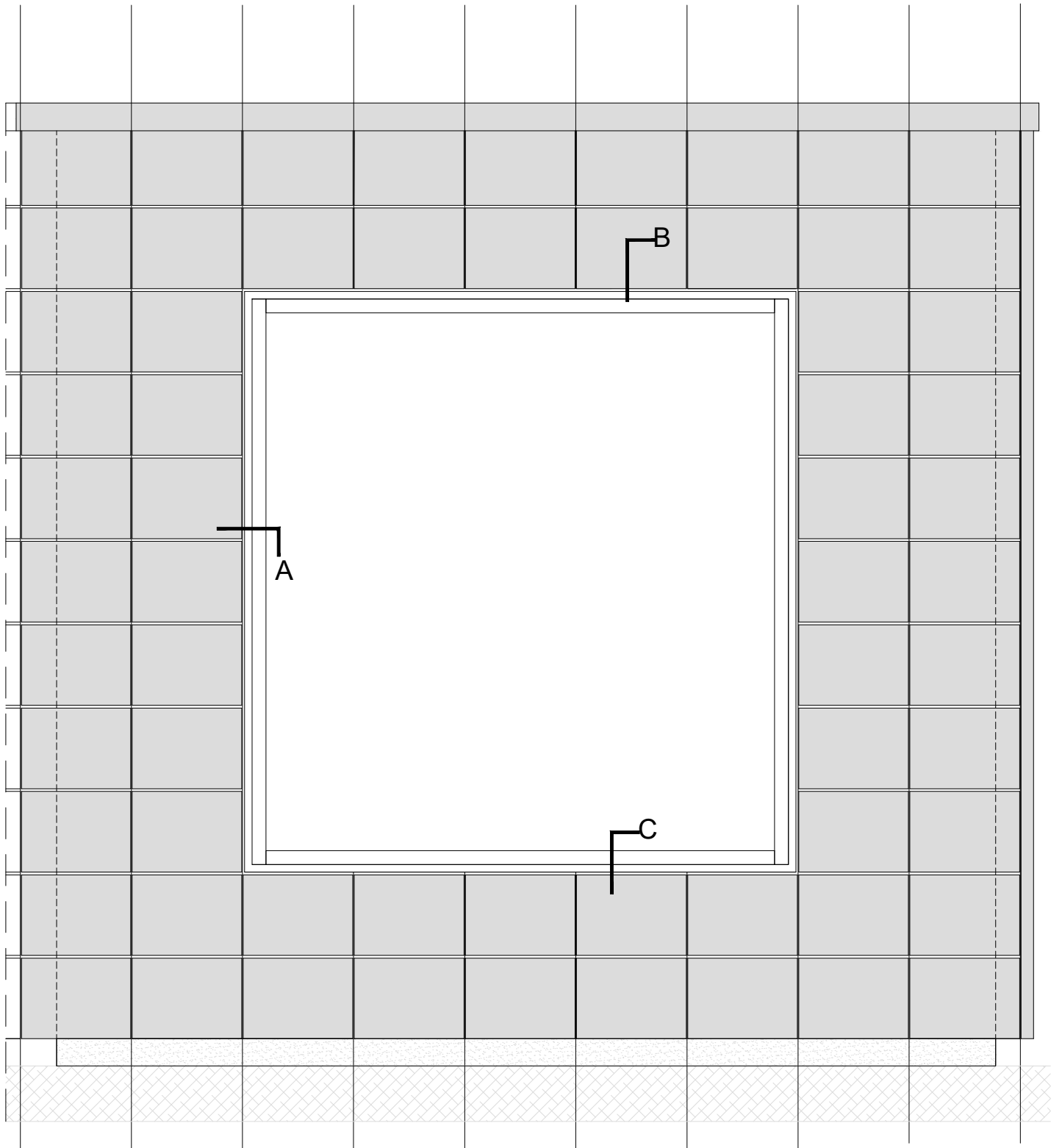
system title:  
**CONCEALED FIX STRUCTURAL  
 BONDING SUPPORT SYSTEM**

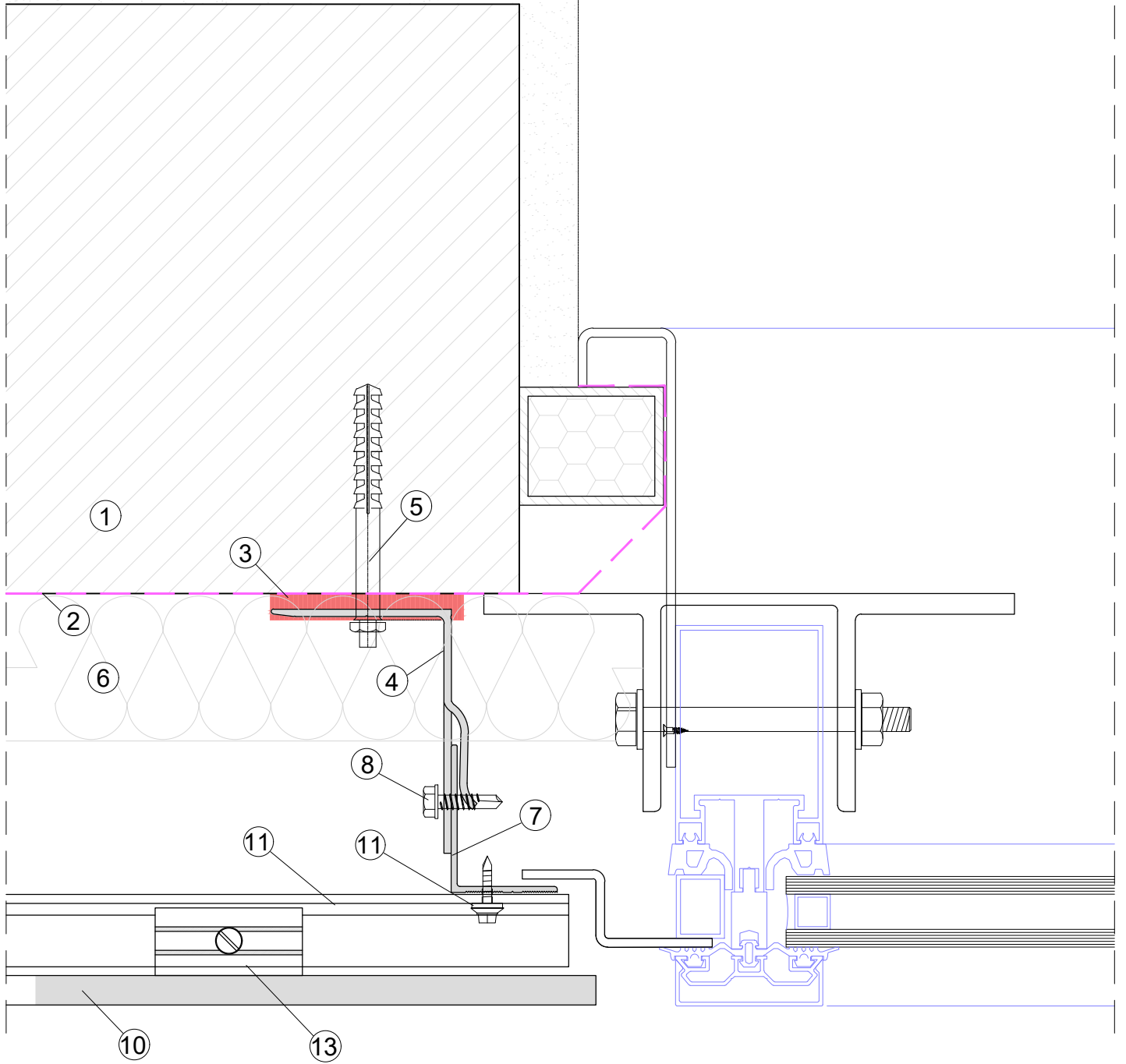
drawing title:  
**DETAIL 9**

date:  
**Apr 2019**

scale:  
**NTS**

system no: drawing no: revision:  
**CMS-07 11 01**





**LEGEND**

1. CONCRETE / BLOCK WORK 2. BREATHER MEMBRANE 3. THERMAL ISOLATOR 4. SUPPORT BRACKET 5. PRIMARY FIXING 6. THERMAL INSULATION 7. T / L / CORNER PROFILE  
 8. SELF DRILL SCREW 9. DOUBLE SIDED TAPE / NORTON TAPE 10. CLADDING (FIBER CEMENT PANEL) 11. RIVET/SCREW 12. RAIL PROFILE 13. TOP / BOTTOM CLIP  
 14. UNDERCUT ANCHOR



www.cladmate.co.uk | technical@cladmate.co.uk

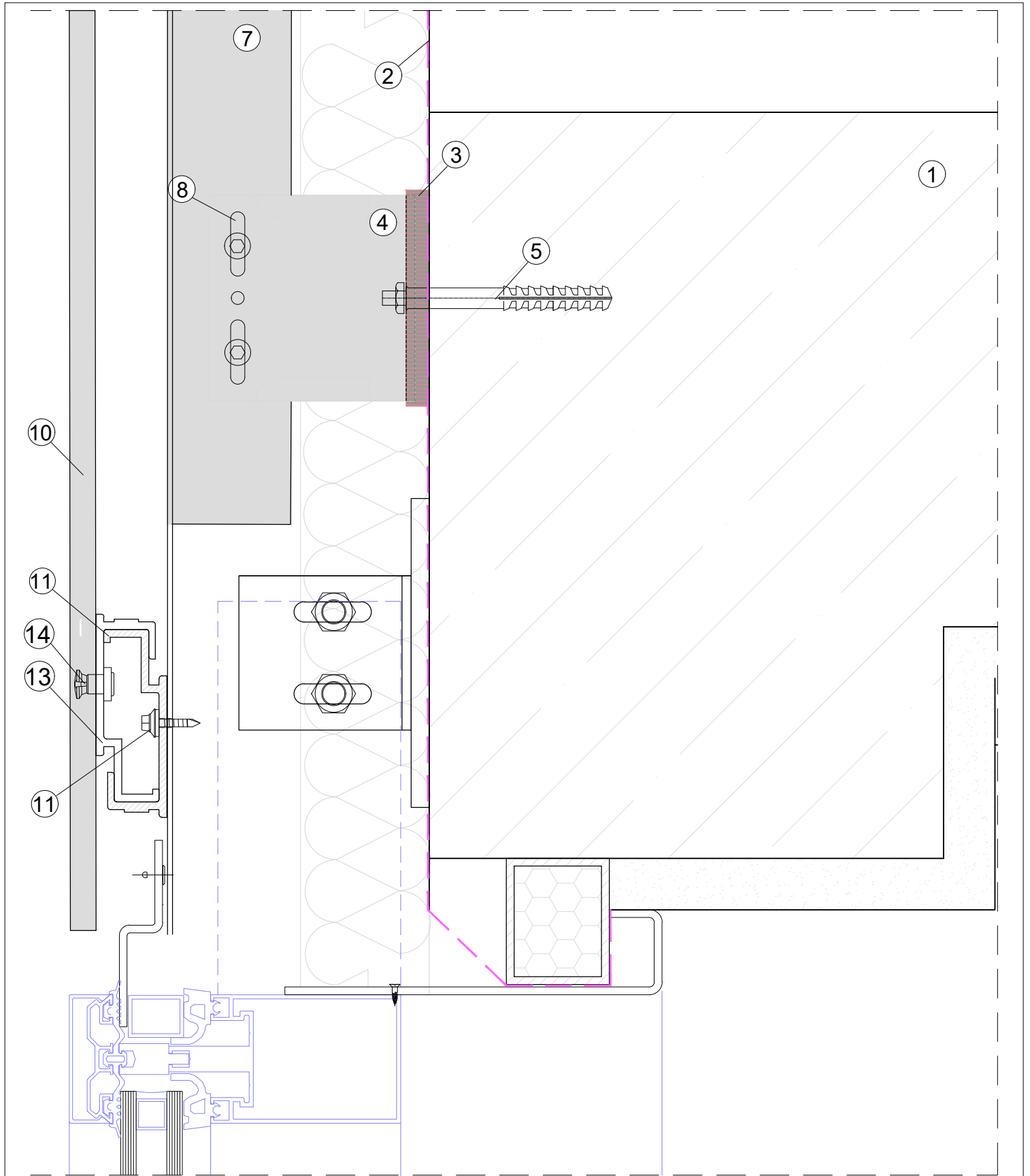
system title:  
**CONCEALED FIX STRUCTURAL  
 BONDING SUPPORT SYSTEM**

drawing title:  
**DETAIL A**

date:  
**Apr 2019**

scale:  
**NTS**

system no: **CMS-07** drawing no: **13** revision: **01**



**LEGEND**  
 1. CONCRETE / BLOCK WORK 2. BREATHER MEMBRANE 3. THERMAL ISOLATOR 4. SUPPORT BRACKET 5. PRIMARY FIXING 6. THERMAL INSULATION 7. T / L / CORNER PROFILE  
 8. SELF DRILL SCREW 9. DOUBLE SIDED TAPE / NORTON TAPE 10. CLADDING (FIBER CEMENT PANEL) 11. RIVET/SCREW 12. RAIL PROFILE 13. TOP / BOTTOM CLIP  
 14. UNDERCUT ANCHOR



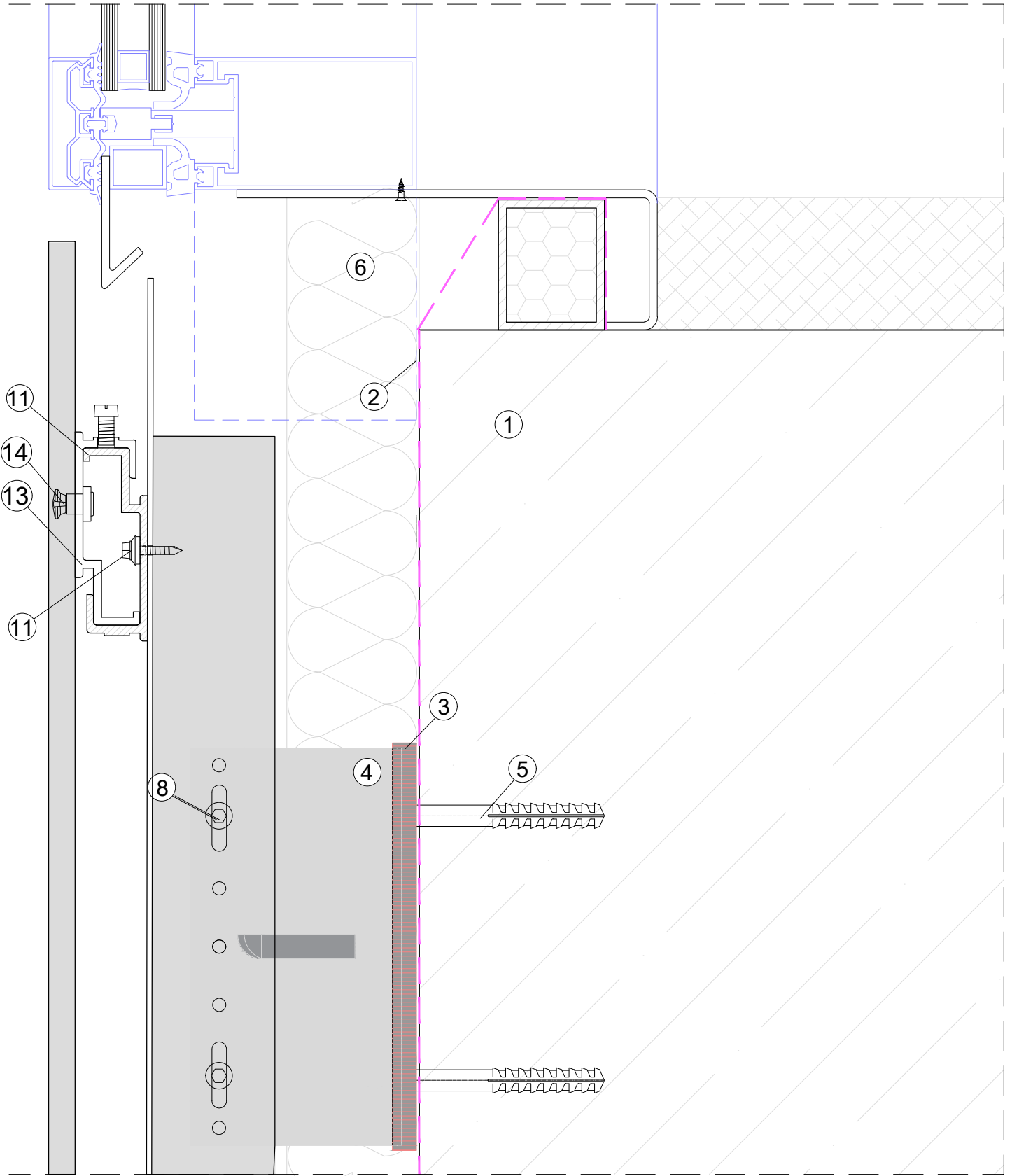
system title:  
**CONCEALED FIX STRUCTURAL  
 BONDING SUPPORT SYSTEM**

drawing title:  
**DETAIL B**

date:  
**Apr 2019**

scale:  
**NTS**

system no: **CMS-07** drawing no: **14** revision: **01**



**LEGEND**

1. CONCRETE / BLOCK WORK 2. BREATHER MEMBRANE 3. THERMAL ISOLATOR 4. SUPPORT BRACKET 5. PRIMARY FIXING 6. THERMAL INSULATION 7. T / L / CORNER PROFILE  
 8. SELF DRILL SCREW 9. DOUBLE SIDED TAPE / NORTON TAPE 10. CLADDING (FIBER CEMENT PANEL) 11. RIVET/SCREW 12. RAIL PROFILE 13. TOP / BOTTOM CLIP  
 14. UNDERCUT ANCHOR



www.cladmater.co.uk | technical@cladmater.co.uk

system title:  
**CONCEALED FIX STRUCTURAL  
 BONDING SUPPORT SYSTEM**

drawing title:  
**DETAIL C**

date:  
**Apr 2019**

scale:  
**NTS**

system no: drawing no: revision:  
**CMS-07 15 01**